

Chapter 12 The Applications of FBs-PLC Communication Link

As previously revealed in Chapter 11 that the FBs-PLC can support the "Ladder Program Control Interface" communication function for the applications of multi_drop FATEK CPU Link network or connecting with the intelligent peripherals through Port 1~Port 4.

The connection of FBs-PLC can through CLINK(FUN151), besides it support ModBus communication interface,too. Port1~Port 4 can be ModBus communication protocol master station by FUN150 to connect with the ModBus slave peripherals.

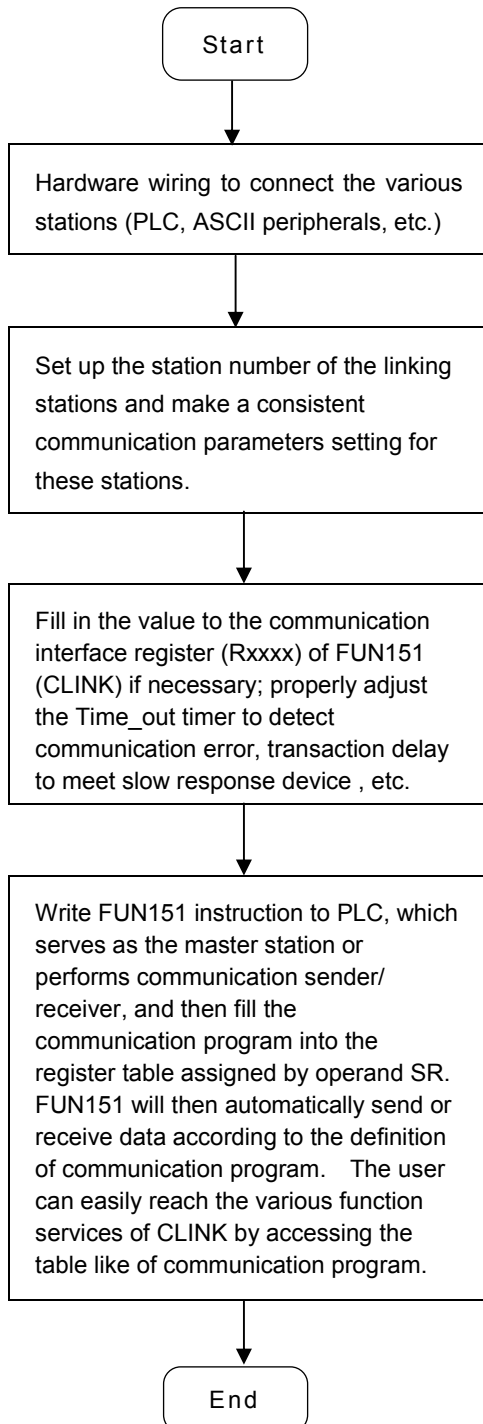
The RS-232 interface is for point to point connection, the RS-485 interface is for long distance connection or multi-drop communication network

The FUN151 (CLINK) instruction provides MD0 to MD3 four kinds of instruction mode, that the MD3 mode is monopolized by Port 2 for "FATEK High Speed CPU Link Network", the others are for "Ordinary Communication Link". The following list enlisted the description for the difference on various instruction modes for the CLINK instruction

Category \ Item		Baud Rate	Data Length	Transmitting code	Error detection	Command processing speed
FUN151 (CLINK)	High Speed LINK (MD3) * Port 2 only	38.4K bps 921.6K bps	8-bit	Binary code	CRC-16	Interrupt driven
	Ordinary LINK (MD0~MD2) * Port 1~ Port 4	4.8K bps 921.6K bps	7-bit or 8-bit Adjustable	ASCII code	Checksum	Normal scan
FUN150 (M-BUS)	ModBus Master	4.8K bps 921.6K bps	8-bit	Binary code	CRC-16	Normal scan

12.1 Application for FUN151 instruction

12.1.1 Procedures for usage



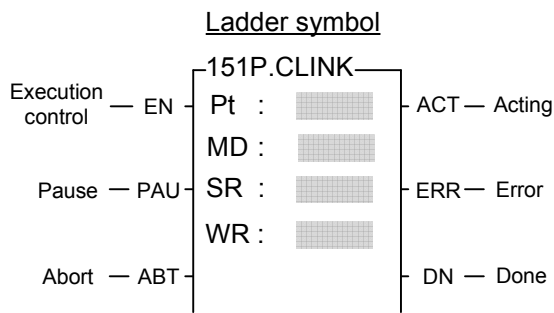
- Station number can be set to any one between 1 to 254 without replication.

- For communication parameters, please refer to the description of "Communication Related Setting".

12.1.2 Explanation of respective modes and application program for FUN151

This section will base on the four instruction modes (MD0 to MD3) of FUN151 (CLINK) instruction to explain their usages, with respective practical application program examples.

FUN151P CLINK	Convenient Instruction of FUN151: MD0 (Which makes PLC act as the master station in CPU LINK network through Port 1~4)	FUN151P CLINK
------------------	---------------------------------------------------------------------------------------------------------------------------	------------------



Pt : Assign the port, 1~4
 MD : 0, serves as the master station of Fatek CPU Link (employs Fatek communication protocol)
 SR : Starting register of communication program (see example for its explanation)
 WR : Starting register for instruction operation (see example for its explanation). It controls 8 registers, the other programs can not repeat in using.

	Range	HR	ROR	DR	K
Operand	R0 R3839	R5000 R8071	D0 D3999		
Pt					1~4
MD					0
SR	○	○	○		
WR	○	○*	○		

Descriptions

1. FUN151: MD 0, it makes PLC act as the master of FATEK CPU Link Network through Port 1~ 4.
2. The master PLC may connect with 254 slave stations through the RS-485 interface.
3. Only the master PLC needs to use FUN151 instruction, the slave doesn't need.
4. It employs the program coding method or table filling method to plan for the data flow controls; i.e. from which one of the slave station to get which type of data and save them to the master PLC, or from the master PLC to write which type of data to the assigned slave station. It needs only seven registries to make definition; every seven registers define one packet of data transaction.
5. When execution control `EN` changes from 0→1 and both inputs "PAU" and "ABT" are 0, and if Port 1/2/3/4 hasn't been controlled by other communication instructions [i.e. M1960 (Port1) / M1962 (Port2) / M1936 (Port3) / M1938 (Port4) = 1], this instruction will control the Port 1/2/3/4 immediately and set the M1960/M1962/M1936/M1938 to be 0 (which means it is being occupied), then going on a packet of data transaction immediately. If Port 1/2/3/4 has been controlled (M1960/M1962/M1936/M1938 = 0), then this instruction will enter into the standby status until the controlling communication instruction completes its transaction or pause/abort its operation to release the control right (M1960/M1962/M1936/M1938 = 1), and then this instruction will become enactive, set M1960/M1962/M1936/M1938 to be 0, and going on the data transaction immediately.
6. While in transaction processing, if operation control "PAU" becomes 1, this instruction will release the control right (M1960/M1962/M1936/M1938 = 1) after this transaction. Next time, when this instruction takes over the transmission right again, it will restart from the next packet of data transaction.
7. While in transaction processing, if operation control "ABT" becomes 1, this instruction will abort this transaction immediately and release the control right (M1960/M1962/M1936/M1938 = 1). Next time, when this instruction takes over the transmission right again, it will restart from the first packet of data transaction.
8. While it is in the data transaction, the output indication "ACT" will be ON.
9. If there is error occurred when it finishes a packet of data transaction, the output indication "DN" & "ERR" will be ON.
10. If there is no error occurred when it finishes a packet of data transaction, the output indication "DN" will be ON.

FUN151P CLINK	Convenient Instruction of FUN151: MD0 (Which makes PLC act as the master station in CPU LINK network through Port 1~4)	FUN151P CLINK
------------------	---------------------------------------------------------------------------------------------------------------------------	------------------

【Interface Signals】

Dedicated Relays and Registers for corresponding port :

Comm. Port Signals	Port 1	Port 2	Port 3	Port 4
1. Port Ready Indicator	M1960	M1962	M1936	M1938
2. Port Finished Indicator	M1961	M1963	M1937	M1939
3. Port Communication Parameters	R4146	R4158	R4043	R4044
4. TX Delay & RX Time-out Span	R4147	R4159	R4045	R4048

1. Port Ready Indicator : This signal is generated from CPU.

ON, it represents that port is free and ready.

OFF, it represents that port is busy, data transaction is going.

2. Port Finished Indicator : This signal is generated from CPU.

When the communication program completed the last packet of data transaction, this signal will be ON for one scan time (for successive data transaction).

When the communication program completed the last packet of data transaction, this signal will be still ON (for single packet of data transmission)

3. Port Communication Parameters :

The register is for communication parameters setting of corresponding port. (please refer to the chapter of communication parameters setting)

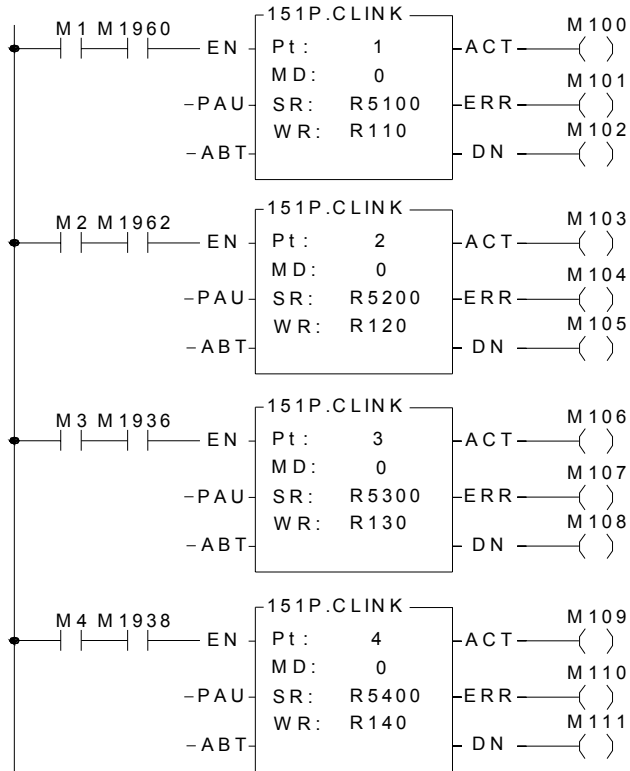
4. TX Delay & RX Time-out Span :

The content of Low Byte defines the receive Time-out span of CLINK instruction; its unit is 0.01 second (the default is 50, which means 0.5 second). The CLINK instruction employs receive Time-out span to judge whether the slave station on line or not. When the master PLC sent out the read/write command to the slave station, the slave station didn't reply within this period means that there is abnormal event in communication called Time-out. When there are multi-drop linking, properly adjust this value (greater than 1 scan time of the slave station with the longest scan time) to shorten the communication response time among the active linking stations if there are many slave stations power off (The time-out cases will happen).

The content of High Byte defines the transmission delay time between two packets of data transaction for CLINK instruction; its unit is 0.01 second (the default is 0).

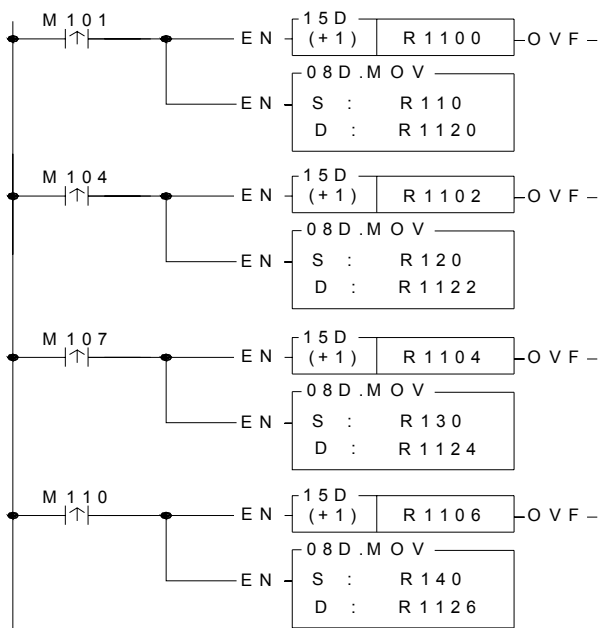
FUN151P CLINK	Convenient Instruction of FUN151: MD0 (Which makes PLC act as the master station in CPU LINK network through Port 1~4)	FUN151P CLINK
------------------	---------------------------------------------------------------------------------------------------------------------------	------------------

Program example(Automatic cycling transmission)



Explanation on program example

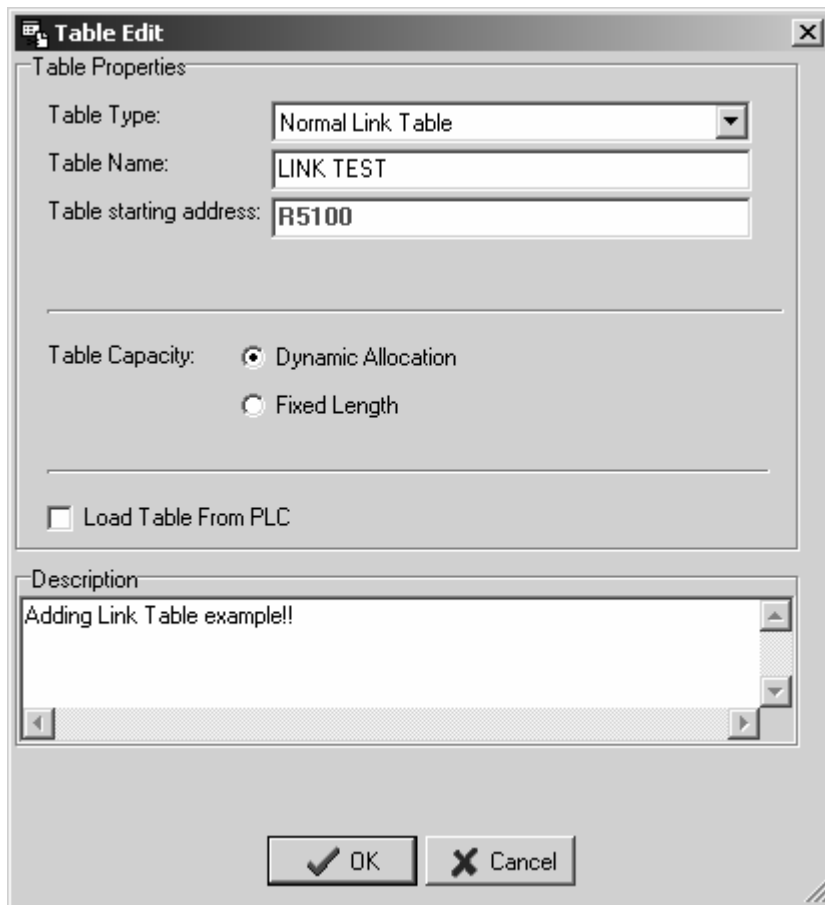
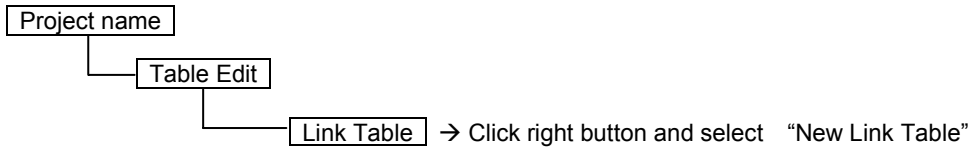
When there is communication error, gets and stores the error message, it would be helpful for error analysis or logging.



FUN151P CLINK	Convenient Instruction of FUN151: MD0 (Which makes PLC act as the master station in CPU LINK network through Port 1~4)	FUN151P CLINK
------------------	---------------------------------------------------------------------------------------------------------------------------	------------------

Editing Communication Table with WinProladder

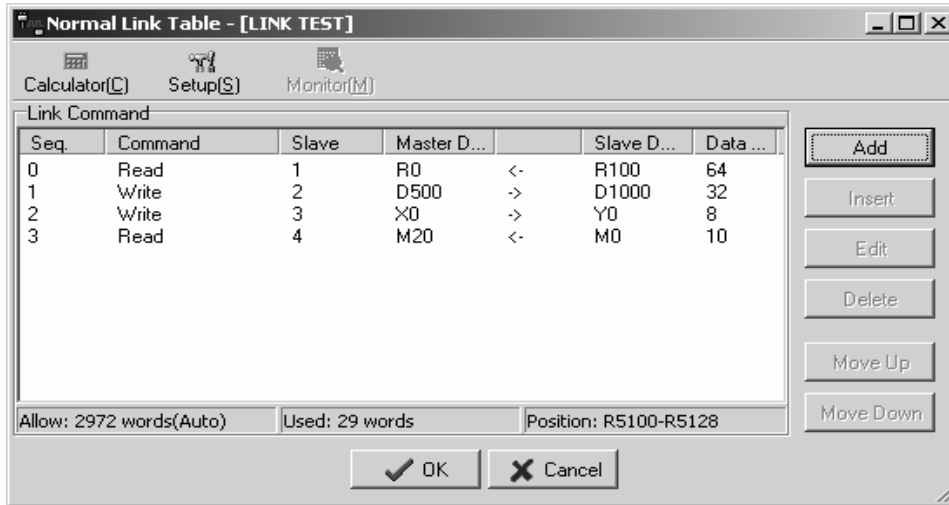
Click the "Link Table" Item which in project windows :



- Table Type : MD0 must be selected "Normal Link Table". ; MD3 must be selected "High Speed Link Table".
- Table Name : For modify or debug, you can give a convenient name.
- Table Starting address : Enter the address which is the starting register of communication table to store the data exchange list.

※ To make it easy to edit, read, and maintain the communication program, we have extended following related instructions under FUN150 and FUN151. The use method is take focus on FUN150 or FUN151, and press the hotkey "Z". When "Table Edit" windows appear, then you can edit the communication table.

FUN151P CLINK	Convenient Instruction of FUN151: MD0 (Which makes PLC act as the master station in CPU LINK network through Port 1~4)	FUN151P CLINK
------------------	---------------------------------------------------------------------------------------------------------------------------	------------------



Explanation for operand SR

SR : Starting register for communication program of CLINK instruction

SR+0	Total transactions	<ul style="list-style-type: none"> • Low Byte is valid; one transaction takes 7 registers to describe, which means 7 registers define a packet of data transaction.
SR+1	Slave station No. which is about to transact with	<ul style="list-style-type: none"> • Low Byte is valid, 0~254 (0 means that master PLC broadcasts the data to all slave PLC, the slave PLC does not reply).
SR+2	Command code	<ul style="list-style-type: none"> • Low Byte is valid; =1, means reading data from slave PLC; =2, means writing data to slave PLC.
SR+3	Data length of this transaction	<ul style="list-style-type: none"> • Low Byte is valid; the range is 1~64.
SR+4	Data type of Master PLC	<ul style="list-style-type: none"> • Low Byte is valid, and its range is 0 to 13; it defines the data type of master PLC (see next page).
SR+5	Starting reference of Master PLC	<ul style="list-style-type: none"> • Word is valid; it defines the starting address of data (master).
SR+6	Data type of slave PLC	<ul style="list-style-type: none"> • Low Byte is valid, and its range is 0 to 13; it defines the data type of slave PLC (see next page).
SR+7	Starting reference of Slave PLC	<ul style="list-style-type: none"> • Word is valid; it defines the starting address of data (slave).
SR+8	Slave station No. which is about to transact with	} Description of the 2nd packet of transaction.
SR+9	Command Code	
SR+10	Data length of this transaction	
SR+11	Data type of Master PLC	
SR+12	Starting reference of Master PLC	
SR+13	Data type of slave PLC	
SR+14	Starting reference of Slave PLC	

FBS-PLC LINK

FUN151P CLINK	Convenient Instruction of FUN151: MD0 (Which makes PLC act as the master station in CPU LINK network through Port 1~4)	FUN151P CLINK
------------------	---------------------------------------------------------------------------------------------------------------------------	------------------

Master/Slave data type, code and reference number

Data code	Data type	Reference number
0	X (discrete input)	0~255
1	Y (discrete output)	0~255
2	M (internal relay M)	0~1911
3	S (step relay S)	0~999
4	T (timer contact)	0~255
5	C (counter contact)	0~255
6	WX (word of discrete input ,16 bits)	0~240, it must be the multiple of 8.
7	WY (word of discrete output ,16 bits)	0~240, it must be the multiple of 8.
8	WM (word of internal relay,16 bits)	0~1896, it must be the multiple of 8.
9	W S (word of step relay,16 bits)	0~984, it must be the multiple of 8.
10	TR (timer register)	0~255
11	CR (counter register)	0~199
12	R (data register Rxxxx)	0~3839
13	D (data register Dxxxx)	0~4095

Note : The data type for master and slave must be consistent. i.e. if the master station is any value between 0 to 5, the slave station must also be any value between 0 to 5; if the master station is any value between 6 to 13, the slave station must also be any value between 6 to 13.

Explanation for the operand WR of FUN151:MD0

	High Byte	Low Byte	
WR+0	Result code	Transaction No.	<ul style="list-style-type: none"> Result code indicates the transaction result; 0= normal, other value =abnormal. Transaction No. indicates which one is in processing. Station number, the slave station No. which is in transaction. Command code =44H, reading successive discrete status from slave PLC. =45H, writing successive discrete status to slave PLC. =46H, reading successive registers from slave PLC. =47H, writing successive registers to slave PLC. WR+4's b0=1, Port has been occupied and this instruction is waiting to acquire the transmission right for data transaction. b4=1, This instruction is not first time performing. b12, Output indication for "ACT" b13, Output indication for "ERR". b14, Output indication for "DN".
WR+1	Station number	Command code	
WR+2	For internal operation		
WR+3	For internal operation		
WR+4	For internal operation		
WR+5	For internal operation		
WR+6	For internal operation		
WR+7	For internal operation		

Result code:

- 0, this transaction is successful.
- 2, data length error (data length is 0 or greater than 64 in one transaction).
- 3, command code error (command code is greater than 2).
- 4, data type error (data type is greater than 13, please refer to data type code).
- 5, reference number error (please refer to reference number).
- 6, inconsistency in data type (e.g. master station is 0~5 while slave is 6~13).
- A, no response from slave station (Time-out error).
- B, communication error (received error data).

FUN151P CLINK	Convenient Instruction of FUN151: MD0 (Which makes PLC act as the master station in CPU LINK network through Port 1~4)	FUN151P CLINK
------------------	---------------------------------------------------------------------------------------------------------------------------	------------------

- For easy programming and trouble shooting, the Winproladder provides the table editing environment to edit the communication table of FUN151 instruction; Key in the complete FUN151 instruction first and then move the cursor to the position of it, depressing the "Z" key, now comes the table editing environment. The user can create the new communication table or display the existed table under this friendly user interface operation.

Communication Table for FUN151:MD0

Sequence No.	Command	Slave	Master Data	Slave Data	Length
0 ~ nnn	Read (=1) Write (=2)	Describing the station number of slave PLC which is about to transact with. Station number=0, The master PLC broadcasts the data to all slave PLCs and slave PLCs will not reply Station number=N, it means the station number of the slave PLC which is about to transact with the master PLC N=1~ 254	Describing the data type & reference number of this packet of transaction for the master PLC. X0 ~ X255 Y0 ~ Y255 M0 ~ M1911 S0 ~ S999 T0 ~ T255 C0 ~ C255 WX0 ~ WX240 WY0 ~ WY240 WM0 ~ WM1896 WS0 ~ WS984 TR0 ~ TR255 CR0 ~ CR199 R0 ~ R3839 D0 ~ D4095	Describing the data type & reference number of this packet of transaction for the slave PLC. X0 ~ X255 Y0 ~ Y255 M0 ~ M1911 S0 ~ S999 T0 ~ T255 C0 ~ C255 WX0 ~ WX240 WY0 ~ WY240 WM0 ~ WM1896 WS0 ~ WS984 TR0 ~ TR255 CR0 ~ CR199 R0 ~ R3839 D0 ~ D4095	Data length of this transaction. 1 ~ 64

Explanation on program example

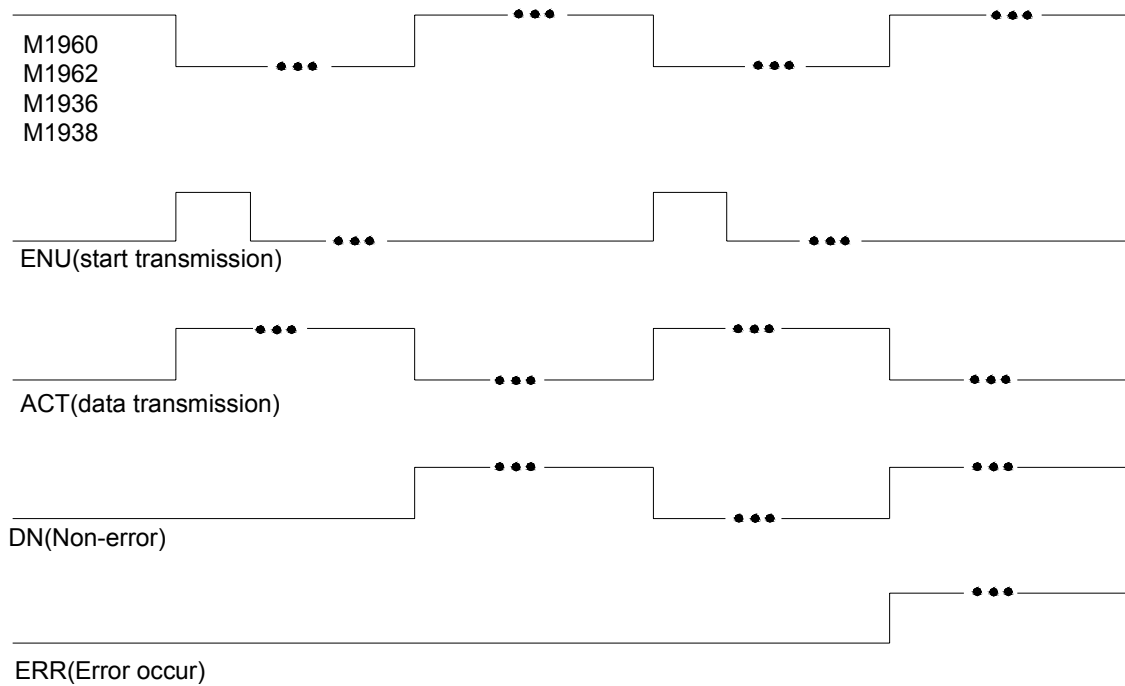
When execution control M1/M2/M3/M4 = 1, and corresponding port is not occupied by other communication instruction (M1960 · M1962 · M1936 · M1938 = 1), CLINK instruction will start the data transaction. The M1960 · M1962 · M1936 · M1938 is OFF during data transaction, and when the transaction is finished, the M1960 · M1962 · M1936 · M1938 becomes ON. Employ the OFF↔ON change of M1960 · M1962 · M1936 · M1938 (FUN151 execution control "EN ↑" = 0→1 means starting) may automatically starts for every packet of data transaction successively (when the last packet of transaction is completed, it will automatically return to the first packet of transaction to obtain the automatic cycling transmission).

- Output Indicators : "ACT" ON : Transaction is in progress
"ERR" ON : Error occurred (Refer to the result code)
"DN" ON : One transaction finished

FBS-PLC LINK

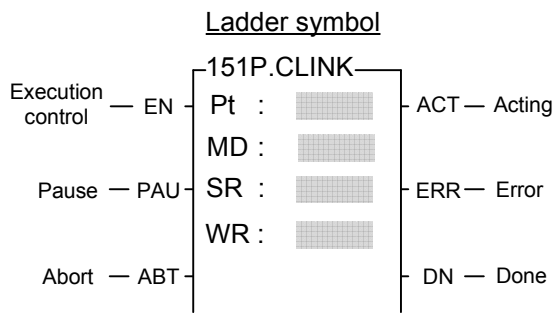
FUN151P CLINK	Convenient Instruction of FUN151: MD0 (Which makes PLC act as the master station in CPU LINK network through Port 1~4)	FUN151P CLINK
------------------	---------------------------------------------------------------------------------------------------------------------------	------------------

Waveform of Input and Output signals



- Note :
1. Only "DN" will be ON if one transaction finished without error.
 2. "ERR" & "DN" will be ON at the same time if one transaction finished with error.
 3. M1961/M1963/M1937/M1939 will be ON one scan time while the last packet of transaction finished.

FUN151P CLINK	Convenient Instruction of FUN151: MD1 (Which makes PLC act as the communication sender through Port 1~4)	FUN151P CLINK
------------------	-------------------------------------------------------------------------------------------------------------	------------------



Pt : Assign the port, 1~4
 MD : 1, link with intelligent peripherals that equipped with communication interface
 SR : Starting register for data transmission table
 WR : Starting register for instruction operation (see example for explanation). It controls 8 registers, the other programs cannot repeat in use.

	Range	HR	ROR	DR	K
Operand		R0 R3839	R5000 R8071	D0 D3999	
	Pt				1~4
	MD				1
	SR	○	○	○	
	WR	○	○*	○	

Descriptions

1. FUN151:MD1, it makes PLC act as the communication sender to link with the intelligent peripherals that equipped with communication interface.
2. A master PLC may connect to multi sets of peripherals that have identical communication protocol through the RS-485 interface.
3. The communication protocol/format is written with LADDER program, which must be consistent with the linked peripherals.
4. When execution control "EN" changes from 0→1 and both inputs "PAU" and "ABT" are 0, and if Port 1/2/3/4 hasn't been controlled by other communication instructions [i.e. M1960 (Port1) 、 M1962 (Port2) 、 M1936 (Port3) 、 M1938 (Port4) = 1], this instruction will control the Port 1/2/3/4 immediately and set the M1960 、 M1962 、 M1936 、 M1938 to be 0 (which means it is being occupied), then going on a packet of data transaction immediately. If Port 1/2/3/4 has been controlled (M1960 、 M1962 、 M1936 、 M1938 = 0), then this instruction will enter into the standby status until the controlling communication instruction completes its transaction or pause/abort its operation to release the control right (M1960 、 M1962 、 M1936 、 M1938 = 1), and then this instruction will become enactive, set M1960 、 M1962 、 M1936 、 M1938 to be 0, and going on the data transaction immediately.
5. During transaction, if the "PAU" input becomes 1, this instruction will pause and release the control right (set M1960 、 M1962 、 M1936 、 M1938 = 1) after it completed the transmission of the on-going data.
6. During transaction, if the "ABT" input becomes 1, this instruction will abort the transmission and release the control right immediately (set M1960/M1962/M1936/M1938 = 1).
7. While transaction is going, the output indication "ACT" will be ON.
8. When a packet of data transaction is finished (transmission finished or "transmit then receive" completed), if there is error occurred, the output indication "DN" & "ERR" will be ON.
9. When a packet of data transaction is finished (transmission finished or "transmit then receive" completed), if there is no error occurred, the output indication "DN" will be ON.

FUN151P CLINK	Convenient Instruction of FUN151: MD1 (Which makes PLC act as the communication sender through Port 1~4)	FUN151P CLINK
------------------	-------------------------------------------------------------------------------------------------------------	------------------

【Interface Signals】

Dedicated Relays and Registers for corresponding port :

Comm Port Signals	Port 1	Port 2	Port 3	Port 4
1. Port Ready Indicator	M1960	M1962	M1936	M1938
2. Port Finished Indicator	M1961	M1963	M1937	M1939
3. Port Communication Parameters	R4146	R4158	R4043	R4044
4. TX Delay & RX Time-out Span	R4147	R4159	R4045	R4048
5. New Message Detection Time Interval	R4148			

1. Port Ready Indicator : This signal is generated from CPU.

ON, it represents that port is free and ready.

OFF, it represents that port is busy, data transaction is going.

2. Port Finished Indicator : This signal is generated from CPU.

ON, it means data transaction has been completed.

3. Port Communication Parameters :

The register is for communication parameters setting of corresponding. port. (please refer to the chapter of communication parameters setting).

4. TX Delay & RX Time-out Span :

The content of Low Byte defines the receive Time-out span of CLINK instruction; its unit is 0.01 second (the default is 50, which means 0.5 second).

The CLINK instruction employs receive Time-out span to judge whether the slave station on line or not. When the master PLC sent out the read/write command to the slave station, the slave station didn't reply within this period means that there is abnormal event in communication called Time-out. When there are multi-drop linking, properly adjust this value (greater than 1 scan time of the slave station with the longest scan time) to shorten the communication response time among the active linking stations if there are many slave stations power off (The time-out cases will happen).

The content of High Byte makes no sense at this mode.

5. New Message Detection Time Interval :

While the communication port being used as the master or slave of ModBus RTU protocol, the system will give the default time interval to identify each packet of receiving message, if the default works not well, the user can set this time interval through the high byte setting of R4148 and let M1956 be 1, to avoid the overlap of different packet of message frame.

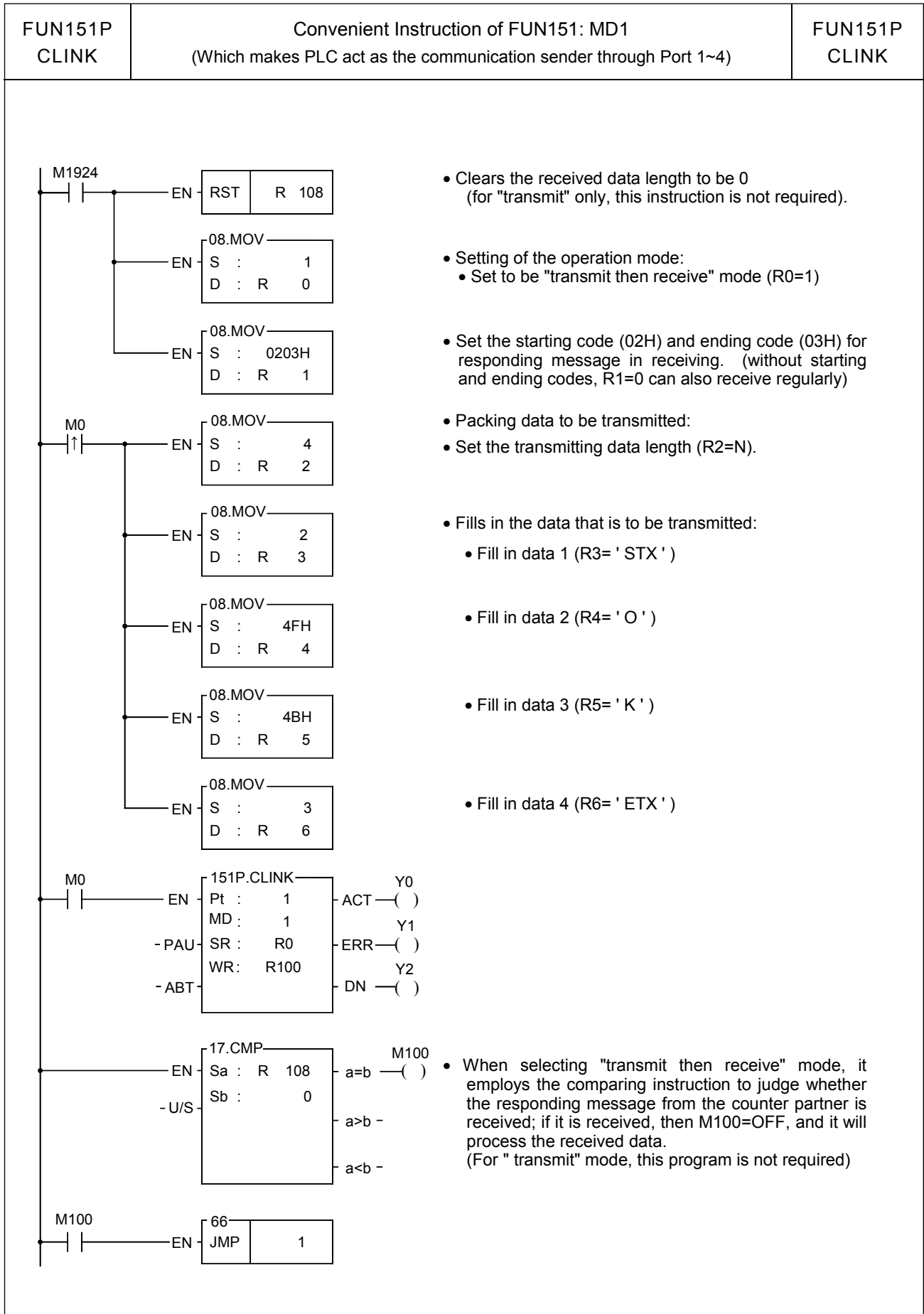
M1956=0, the system default is 3×16 bits time period for Port1~Port4.

M1956=1, High Byte of R4148 is used to set the new message detection time interval for Port1~Port4(the range is 12~63, the unit is in 16-bit)

The actual time depends on the communication baud rate.

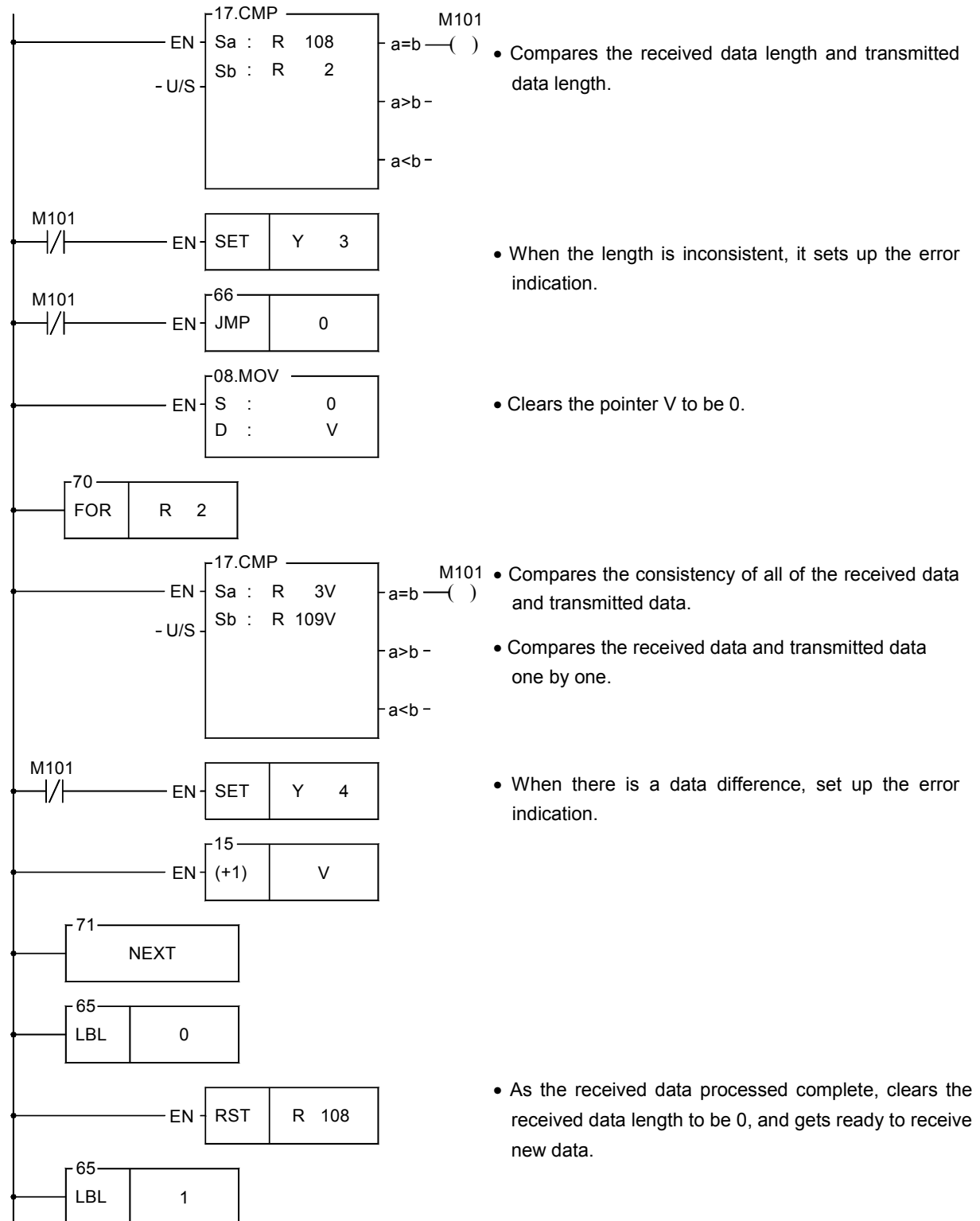
FUN151P CLINK	Convenient Instruction of FUN151: MD1 (Which makes PLC act as the communication sender through Port 1~4)	FUN151P CLINK
<p>While the communication port being used to communicate with the intelligent peripherals through the FUN151 convenient instruction, if the communication protocol without the end of text to separate each packet of message frame, it needs message detection time interval to identify the different packet. High byte of R4148 is used for this setting.</p> <p>M1956=0, the system default is 3×16 bits time period for Port1~Port4.</p> <p>M1956=1, High Byte of R4148 is used to set the new message detection time interval for Port1~Port4(the range is 12~63, the unit is in 16-bit)</p> <p>The actual time depends on the communication baud rate.</p> <p>Program example for loop back test</p> <p>PLC station A sends data to PLC station B (PLC station B sends the received original data back to the PLC station A, loopback test), and checks whether the responding message of PLC station B is the same as its original data that had sent out; therefore, it can do simple test on software and hardware of PLC Port1 whether it is normal and error free.</p>		

FBS-PLC LINK



FUN151P CLINK	Convenient Instruction of FUN151: MD1 (Which makes PLC act as the communication sender through Port 1~4)	FUN151P CLINK
------------------	-------------------------------------------------------------------------------------------------------------	------------------

- The processing program for data received.
- For details of the data received, please refer to the explanation of following page.



• Compares the received data length and transmitted data length.

• When the length is inconsistent, it sets up the error indication.

• Clears the pointer V to be 0.

• Compares the consistency of all of the received data and transmitted data.

• Compares the received data and transmitted data one by one.

• When there is a data difference, set up the error indication.

• As the received data processed complete, clears the received data length to be 0, and gets ready to receive new data.

FUN151P CLINK	Convenient Instruction of FUN151: MD1 (Which makes PLC act as the communication sender through Port 1~4)	FUN151P CLINK
------------------	-------------------------------------------------------------------------------------------------------------	------------------

Explanation for the operand SR of FUN151: MD1

SR : Starting register of data transmission table

SR+0	Transmit only or Transmit then Receive	<ul style="list-style-type: none"> • Low byte is valid, 0: transmit only, no response from the slave 1: transmit then receive the responding message.
SR+1	Starting & Ending code for receiving	<ul style="list-style-type: none"> • High byte : Start of text for receiving. Low byte : End of text for receiving.
SR+2	Length of Transmission	<ul style="list-style-type: none"> • The maximum length of data to be transmitted is 511
SR+3	Data 1	<ul style="list-style-type: none"> • Low byte is valid
SR+4	Data 2	<ul style="list-style-type: none"> • Low byte is valid
SR+5	Data 3	<ul style="list-style-type: none"> • Low byte is valid
SR+6	Data 4	<ul style="list-style-type: none"> • Low byte is valid
• • •	⋮ ⋮ ⋮	
	Data N	<ul style="list-style-type: none"> • Low byte is valid

Note 1 : When selecting the transmit-only mode, the Starting /Ending code of receiving is meaningless.

2 : When it is in the "transmit then receive" mode, before the starting of transmission, it must first to estimate the starting and ending code of responding message from communication partner and write them into the receiving starting/ending code register (e.g. SR+1=0203H, 02H stands for starting code and 03H for ending code), so as to ensure the correct message frame receiving. The communication protocol with starting/ending code makes the identifying of every packet of messages easy, and the communication program is simple and efficient.

3 : When it is in the "transmit then receive" mode, fills the high byte of starting/ending code register with 0 if no starting code in responding message; if no ending code in responding message, fills 0 to the low byte of starting/ending code register. Adjusts the high byte of R4148 (message detection time interval) to judge whether a packet of data has been received completely; the unit is 0.001 second (the default is 0CH, 12mS).

The communication protocol without ending code depends on message detection time interval to tell whether it has received completely a packet of data (the setting of message detection time interval must be greater than the maximum response delay time between data bytes when communication partner is replying), thus it may ensure the receiving of the whole packet to be complete. Generally speaking, the data in transmitting is transmitted one byte after another continuously; therefore, if there is pause (greater than message detection time interval), it means the packet of message is transmitted completely.

FUN151P CLINK	Convenient Instruction of FUN151: MD1 (Which makes PLC act as the communication sender through Port 1~4)	FUN151P CLINK
------------------	-------------------------------------------------------------------------------------------------------------	------------------

Explanation for the operand WR of FUN151:MD1

	High Byte	Low Byte	
WR+0	Result code	0	• Result code =0, OK ; = other values, abnormal.
WR+1	For internal operation use		• Working registers for CLINK instruction
WR+2	For internal operation use		
WR+3	For internal operation use		
WR+4	For internal operation use		• WR+4 : b0=1, Pending
WR+5	For internal operation use		b12= "ACT" output indication
WR+6	For internal operation use		b13= "ERR" output indication
WR+7	For internal operation use		b14= "DN" output indication
WR+8	Total amount of data received		• The total amount of data byte being received (the register for received data length; it includes the starting and ending code).
WR+9	Data 1		• The first byte of data received (if there is the starting code, it is the starting code); High byte =0.
•	Data 2		• The second byte of data received; High byte =0.
•	Data 3		• The third byte of data received; High byte =0.
•	⋮		
•	Data N		• The N _{th} byte of data received (if there is the ending code, it is the ending code); High byte =0.

Result code : 0, transaction is successful.

2, data length error (the value is 0, or the packet of transaction is greater than 511)

A, no response from the slave

B, communication abnormal (received error data)

• Output Indicator : "ACT" ON : Transaction is in progress

"ERR" ON : Error occurred

"DN" ON : One transaction finished

FBS-PLC LINK

FUN151P CLINK	Convenient Instruction of FUN151: MD2 (Which makes PLC act as the communication receiver through Port 1~4)	FUN151P CLINK																														
<div style="display: flex; justify-content: space-between;"> <div style="width: 45%;"> <p><u>Ladder symbol</u></p> </div> <div style="width: 50%;"> <p>Pt : Assign the port, 1~4</p> <p>MD : 2, PLC waiting to receive the message sent by intelligent peripherals</p> <p>SR : Starting register for data transmission table</p> <p>WR : Starting register for instruction operation (see example for explanation). It controls 8 registers, the other programs cannot repeat in use.</p> </div> </div> <table border="1" style="margin-left: auto; margin-right: auto; border-collapse: collapse; text-align: center;"> <thead> <tr> <th style="border: none;">Range</th> <th>HR</th> <th>ROR</th> <th>DR</th> <th>K</th> </tr> </thead> <tbody> <tr> <td style="border: none;">Operand</td> <td>R0 R3839</td> <td>R5000 R8071</td> <td>D0 D3999</td> <td></td> </tr> <tr> <td style="border: none;">Pt</td> <td></td> <td></td> <td></td> <td>1~4</td> </tr> <tr> <td style="border: none;">MD</td> <td></td> <td></td> <td></td> <td>2</td> </tr> <tr> <td style="border: none;">SR</td> <td>○</td> <td>○</td> <td>○</td> <td></td> </tr> <tr> <td style="border: none;">WR</td> <td>○</td> <td>○*</td> <td>○</td> <td></td> </tr> </tbody> </table>			Range	HR	ROR	DR	K	Operand	R0 R3839	R5000 R8071	D0 D3999		Pt				1~4	MD				2	SR	○	○	○		WR	○	○*	○	
Range	HR	ROR	DR	K																												
Operand	R0 R3839	R5000 R8071	D0 D3999																													
Pt				1~4																												
MD				2																												
SR	○	○	○																													
WR	○	○*	○																													

Descriptions

1. FUN151 : MD2 instruction provides Fatek PLC with ability to receive message sent by peripherals with communication interface at any time.
2. The communication protocol is written with LADDER program, which must be consistent to the peripheral device.
3. When execution control "EN" changes from 0→1 and both inputs "PAU" and "ABT" are 0, and if Port 1/2/3/4 hasn't been controlled by other communication instructions [i.e. M1960 (Port1) 、 M1962 (Port2) 、 M1936 (Port3) 、 M1938 (Port4) = 1], this instruction will control the Port 1/2/3/4 immediately and set the M1960 、 M1962 、 M1936 、 M1938 to be 0 (which means it is being occupied). If Port 1/2/3/4 has been controlled (M1960 、 M1962 、 M1936 、 M1938 = 0), then this instruction will enter into the standby status until the controlling communication instruction completes its transaction or pause/abort its operation to release the control right, and then this instruction will become enactive.
4. When the input "PAU" or "ABT" becomes 1, it gives up the receiving immediately (M1960 、 M1962 、 M1936 、 M1938 = 1).
5. While it is in the receiving state, the output indication "ACT" is ON.
6. When a packet of data transaction finished (receive finished or receive then transmit completed), if there is error occurred, the output indication "DN" & "ERR" will be ON for one scan time.
7. When a packet of data transaction finished (receive finished or receive then transmit completed), if there is no error occurred, the output indication "DN" will be ON for one scan time.

FUN151P CLINK	Convenient Instruction of FUN151: MD2 (Which makes PLC act as the communication receiver through Port 1~4)	FUN151P CLINK
------------------	---------------------------------------------------------------------------------------------------------------	------------------

【 Interface Signals 】

Dedicated Relays and Registers for corresponding port :

Comm Port Signals	Port 1	Port 2	Port 3	Port 4
1. Port Ready Indicator	M1960	M1962	M1936	M1938
2. Port Finished Indicator	M1961	M1963	M1937	M1939
3. Port Communication Parameters	R4146	R4158	R4043	R4044
4. TX Delay & RX Time-out Span	R4147	R4159	R4045	R4048
5. New Message Detection Time Interval	R4148			

1. Port Ready Indicator : This signal is generated from CPU.

ON, it represents that port is free and ready.

OFF, it represents that port is busy, data transaction is going.

2. Port Finished Indicator : This signal is generated from CPU.

ON, it means data transaction has been completed.

3. Port Communication Parameters :

The register is for communication parameters setting of corresponding. port. (please refer to the chapter of communication parameters setting).

4. TX Delay & RX Time-out Span :

The Low Byte defines the Time-out span of FUN151:MD2 instruction; its unit is 0.01 second (the default is 32H). When the PLC received the message and must respond to it (receive then transmit mode), but the LADDER program is unable to process and send out the responding message during this period of time, the CPU will give up response this time and automatically restore back to receiving state. When FUN151:MD2 is set to be "receive only" mode, this value is meaningless.

The content of High Byte makes no sense at this mode.

5. New Message Detection Time Interval :

While the communication port being used as the master or slave of ModBus RTU protocol, the system will give the default time interval to identify each packet of receiving message, if the default works not well, the user can set this time interval through the high byte setting of R4148 and let M1956 be 1, to avoid the overlap of different packet of message frame.

M1956=0, the system default is 3×16 bits time period for Port1~Port4.

M1956=1, High Byte of R4148 is used to set the new message detection time interval for Port1~Port4(the range is 12~63, the unit is in 16-bit)

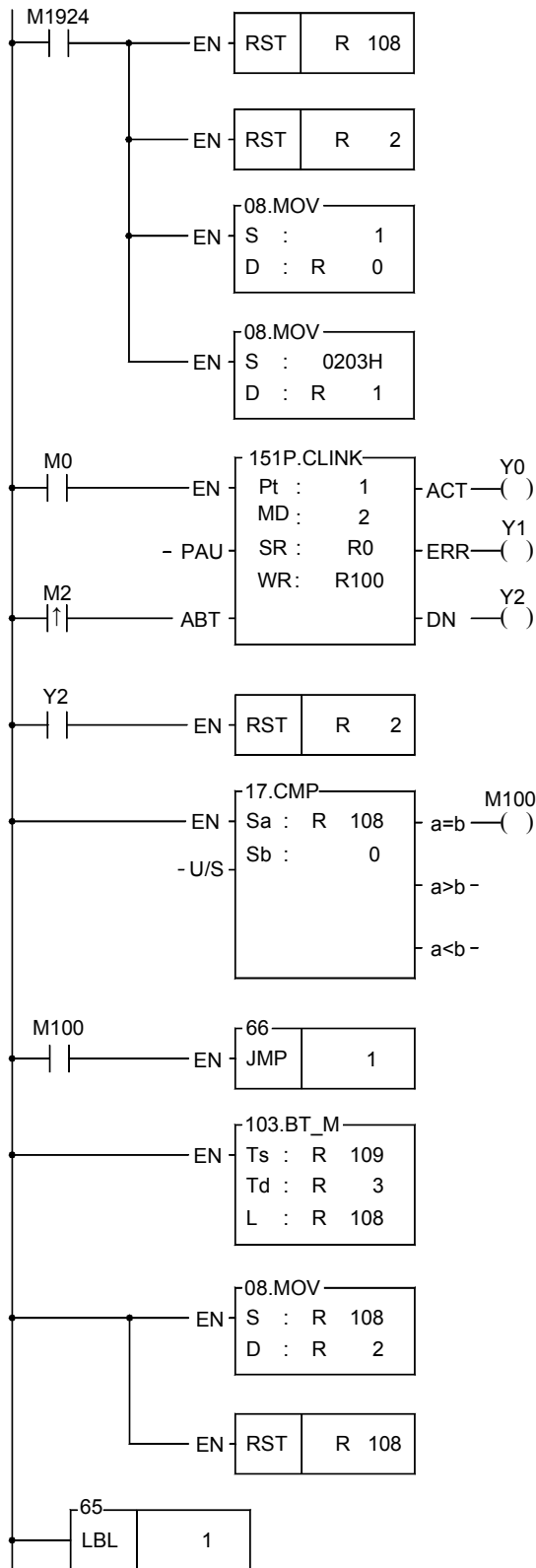
The actual time depends on the communication baud rate.

FBs-PLC LINK

FUN151P CLINK	Convenient Instruction of FUN151: MD2 (Which makes PLC act as the communication receiver through Port 1~4)	FUN151P CLINK
<p>While the communication port being used to communicate with the intelligent peripherals through the FUN151 convenient instruction, if the communication protocol without the end of text to separate each packet of message frame, it needs message detection time interval to identify the different packet. High byte of R4148 is used for this setting.</p> <p>M1956=0, the system default is 3×16 bits time period for Port1~Port4.</p> <p>M1956=1, High Byte of R4148 is used to set the new message detection time interval for Port1~Port4(the range is 12~63, the unit is in 16-bit)</p> <p>The actual time depends on the communication baud rate.</p> <p>Note 1 : Once FUN151 : MD2 activated, it will stay in receiving state all the time; unless the input signal of PAU” or “ABT” becomes ON, then it will escape from receiving state and stop receiving and waiting for next time it will be activated again.</p> <p>2 : When there is change on Starting/Ending code for receiving, it must make the input signal of PAU” or “ABT” becomes ON once, and re-activate the receive control “EN” from 0→1 to start message receiving</p>		

FUN151P CLINK	Convenient Instruction of FUN151: MD2 (Which makes PLC act as the communication receiver through Port 1~4)	FUN151P CLINK
------------------	---------------------------------------------------------------------------------------------------------------	------------------

Program example for loop back reply (This PLC station sends back the received data to the master, which had sent out the data)



Clears the received data length to be 0.

- Clears the transmitted data length to be 0. (for "receive" only, this program is not required).
- Sets up the operation mode:
 - Sets "receive then transmit" mode.
- Sets up the starting code (02H) and ending code (03H) (R1=0, it will receive regularly even without the starting and ending code)

• When transmission complete, clears the transmitted data length to be 0 (for "receive" only mode, this instruction is not needed)

• While selecting "receive then transmit" mode, it employs the comparing instruction to tell whether a new packet of message is received; if it is, the M100=OFF and it will process the received data.

- Copy all of the received data to responding registers.
- R108 is the length of received data.

• After the received data processed, fills the received data length to be the sending back data length to start the responding transmission.

- Clears the received data length to be 0 (ready to receive new data).

FUN151P CLINK	Convenient Instruction of FUN151: MD2 (Which makes PLC act as the communication receiver through Port 1~4)	FUN151P CLINK
------------------	---------------------------------------------------------------------------------------------------------------	------------------

Explanation for the operand SR of FUN151: MD2

SR : Starting register of data reply table

SR+0	Receive only or Receive then Transmit	<ul style="list-style-type: none"> • Low Byte is valid, =0, "receive only" mode ; =1, "receive then transmit" mode
SR+1	Starting/Ending code of receiving	<ul style="list-style-type: none"> • High Byte : Describing the starting code of receiving Low Byte : Describing the ending code of receiving.
	Length of reply data	<ul style="list-style-type: none"> • Maximum of length is 511. It will start to transmit the reply data as long as the length is not 0
	Reply data 1	<ul style="list-style-type: none"> • Low Byte is valid
SR+4	Reply data 2	<ul style="list-style-type: none"> • Low Byte is valid
• • •	⋮	
	Reply data N	<ul style="list-style-type: none"> • Low Byte is valid

Note 1 : When selecting the "receive only" mode, CPU fills the received data into the receiving registers and set the length after it has received a packet of message, and starts to receive the next packet of message immediately.

2 : When selecting the "receive then transmit" mode, CPU fills the received data into the receiving registers and set the length after it has received a packet of message; then it starts to wait for the reply data length which is not zero to start transmitting reply data (therefore when select this mode, it must control the reply data length to be zero before the reply data completely filled into the reply registers; when the reply data fills into the reply registers finished, it may then set the length of reply data).

3 : It must fill the starting code and ending code into the starting/ending code register before the starting of receiving (e.g. SR+1=0A0DH, 0AH stands for starting code and 0DH for ending code), so as to ensure it to be free from receiving error.

The communication protocol with starting/ending code makes the identifying of every packet of messages easy, and the communication program is simple and efficient.

4 : If the receiving message without starting code, fills the high byte of starting/ending code with 0; if the receiving message without ending code, fills the low byte of starting/ending code with 0. Adjusting High Byte of R4148 (new message detection time interval) to detect whether a packet of message has been received completely, the unit is 0.001 second (default is 0CH, 12 mS). The communication protocol without ending code depends on new message detection time interval to tell whether it has received completely for a packet of data (the setting of new message detection time interval must be greater than the maximum delay time between data bytes to be received), thus it may ensure the receiving of the whole packet to be completed. Generally speaking, the data in transmitting is transmitted one byte after another continuously; therefore, if there is pause (greater than new message detection time interval), it means that the packet of message is transmitted completely.

5 : When selecting "receive only" mode, if the receiving message has no ending code, the interval between every packet of data sent by the sender must be greater than the receiver's new message detection time interval, otherwise the receiver won't be able to distinguish between each packet of data correctly.

FUN151P CLINK	Convenient Instruction of FUN151: MD2 (Which makes PLC act as the communication receiver through Port 1~4)	FUN151P CLINK
------------------	---------------------------------------------------------------------------------------------------------------	------------------

Explanation for the operand WR of FUN151:MD2

	High Byte	Low Byte	
WR+0	Result code	0	Result code =0, OK ; = other values, abnormal.
WR+1	For internal operation use		<ul style="list-style-type: none"> Working registers for CLINK instruction
WR+2	For internal operation use		
WR+3	For internal operation use		
WR+4	For internal operation use		
WR+5	For internal operation use		<ul style="list-style-type: none"> WR+4 : b0=1, Pending b12= "ACT" output indication b13= "ERR" output indication b14= "DN" output indication
WR+6	For internal operation use		
WR+7	For internal operation use		
WR+8	Total amount of data received		
WR+9	Data 1		<ul style="list-style-type: none"> The total amount of data byte being received (the register for received data length; it includes the starting and ending code). The first byte of data received (if there is the starting code, it is the starting code); High byte =0.
.	Data 2		<ul style="list-style-type: none"> The second byte of data received; High byte =0.
.	Data N		<ul style="list-style-type: none"> The N_th byte of data received (if there is the ending code, it is the ending code); High byte =0.

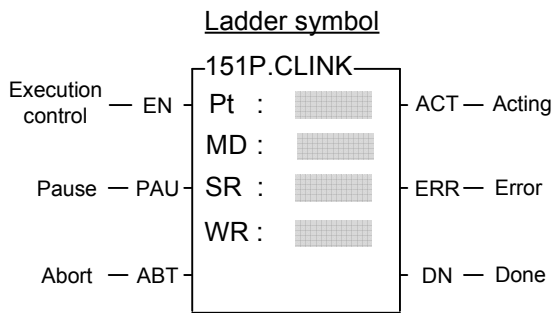
Note : When CPU received a packet of message, it filled the data to receiving registers and set up the received data length. Before the LADDER program starts to receive, you may clear the register of received data length to be 0; it means the receiving of a new packet of message when compared and found that the received data length is not zero. After the LADDER program gets the received data, it clears the received data length register to be 0. Just compare to see the received data length register is not zero means the receiving of a packet of new message, and so it may easily to process the receiving action.

Result code : 0, data transaction is successful.
 2, the data length is error (the value is 0, or the transaction is greater than 511)
 A, unable to reply message within Time-out span ("receive then transmit" mode).
 B, communication abnormal (received error data)

Output indication :
 "ACT" ON : In receiving state
 "ERR" ON : Error occurred in previous packet of transaction, it will be ON for a scan time
 "DN" ON : The previous packet of transaction completed without error, ON for a scan time.

FBS-PLC LINK

FUN151P CLINK	Convenient Instruction of FUN151: MD3 (PLC serve as the master of "Fatek high speed CPU Link network" through Port2)	FUN151P CLINK
------------------	--------------------------------------------------------------------------------------------------------------------------	------------------



Pt : Only port 2 is valid
 MD : 3, serves as the master station of Fatek High Speed CPU Link network
 SR : Starting register of communication program (see example for its explanation)
 Pt : Starting register for instruction operation (see example for its explanation). It controls 8 registers, the other programs can not repeat in using.

Range	HR	ROR	DR	K
	Operand	R0 R3839	R5000 R8071	D0 D3999
Pt				1~2
MD				3
SR	○	○	○	
WR	○	○*	○	

Descriptions

1. FUN151 : MD3, it provides high speed data sharing between Fatek's PLC (data response time will not be influenced by the scan time of PLC).
2. A master PLC can link with 254 slave PLCs at the most to share data through the RS-485 interface.
3. FUN151 : MD3 is required only by master PLC, not by the slave PLC.
4. The station number of master PLC must be No.1, or it should be assigned by R4054 register if which is not No.1 but need to be as the master.
5. The setting of M1958 for slave PLC must be ON (M1958 OFF is for non-high speed link), but it's not necessary for master PLC.
6. In high speed linking, the maximum Baud Rate is 921.6K bps and minimum is 38.4K bps (adjustable); the data length is fixed at 8 Bits. Data is transmitted with binary code (which is twice time as fast as ASCII Code), and the error checking is adopting CRC-16, which is more reliable than Checksum.
7. The principle of high speed linking data transmission is based upon the COMMON DATA MEMORY concept to design; e.g. as the master PLC sent out the content of R0 to R31, .the contents of R0~R31 for all the slave PLCs will be the same as the master's; when slave PLC no.2 sent out the contents of R32~R47, the R32~R47 contents of master PLC and other slave PLCs will be the same as PLC station no.2's, etc.
8. When PLC is in STOP mode, the Port 2 enters into the standard interface mode that it can connect to WinProLadder, MMI, or graphic supervisor (the communication parameter is set by R4158).
9. It employs the program coding or table filling method to plan for data flow control; i.e. for what kind of data being sent from which PLC station to all the PLC on line, it takes only 7 registers (5 of which is being physically used, and 2 reserved) to define; every 7 registers define once communication transaction.
10. When execution control "EN" changes from 0→1 and both pause "PAU" and abort "ABT" are 0, this instruction will control Port 2 and set M1962 to be "0" (being controlled) and processing the data transaction immediately, suppose the Port 2 is not controlled by other communication instruction (M1962=1). If Port 2 is being controlled (M1962=0), this instruction will enter into wait state until the controlling instruction completes the transmission or pause/abort the operation to release the control right (M1962=1); then it enacts from wait state, engages in the transmitting transaction and sets M1962 to be "0".

FUN151P CLINK	Convenient Instruction of FUN151: MD3 (PLC serve as the master of "Fatek high speed CPU Link network" through Port2)	FUN151P CLINK								
<p>11. When pause "PAU" or abort "ABT" of input is 1, it escapes from high speed data link immediately (M1962 ON).</p> <p>12. Within the high speed linking, the output indication "ACT" is ON; Port 2 is occupied.</p> <p>13. When there is error occurred while it is starting the high speed linking, the output indication "ERR" will be ON, and the high speed linking will not be performed.</p> <p>【Interface signals】</p> <p>M1958 : While in the PLC high speed data linking, slave PLC must set M1958 ON (not necessary for master PLC) For non high speed data linking of PLC, the slave PLC must set M1958 OFF.</p> <p>M1962 : The signal is generated from CPU. ON represents the Port 2 is available. OFF represents the Port 2 is occupied.</p> <p>M1963 : The signal is generated from CPU. When M1967 is ON (this signal is controlled by the user program) and after the last packet of communication transaction is completed, the CPU sets M1962 and M1963 ON, and the high speed data transmission will be stopped; it must control "ABT" (transmission abort) to be ON, and then restart execution control "EN↑" to change from 0→1 before the high speed linking can restart. When M1967 is OFF (this signal is controlled by the user program), the high speed data transmission will automatically restart a new transmission from the first packet of communication transaction (M1962 and M1963 is keeping OFF state) after the last packet of communication transaction is completed.</p> <p>M1967 : One-time or cycling control (controlled by the user program) ON, one cycle, it will stop after the last packet of data transaction is performed completely. OFF, successive cycles, it will restart from first packet of transaction when it has finished the last packet of transaction.</p> <p>R4054 : It assigns the PLC station which is not no.1 to act as the master of high speed linking.</p> <table border="1" data-bbox="320 1384 842 1451"> <tr> <td></td> <td style="text-align: center;">High byte</td> <td style="text-align: center;">Low byte</td> <td></td> </tr> <tr> <td>R4054</td> <td style="text-align: center;">55</td> <td style="text-align: center;">Station number.</td> <td>H</td> </tr> </table> <p>When the station number of the PLC is not number 1, fills its station number (low byte of R4055 stores the station number) into the low byte of R4054 and writes to high byte of R4054 with 55H, and then controls the execution control input "EN↑" from 0→1; even though the PLC station which is not no.1, it can still be the master station for high speed linking.</p> <p>R4055 : When high byte of R4055 is not 55H, Low byte of R4055 shows the station number of PLC. When high byte of R4055 is 55H, Low byte of R4055 defines the station number of PLC.</p> <p>R4058 : Showing the station number of slave PLC which is abnormal while high speed linking (0: Represents normal; if many slave PLC were abnormal in the mean time, it is possible to see only one number; after the debugging of abnormal and clear R4058 to be 0 until the value of R4058 keeping to be 0, it will then network works normal). In communication transaction program or table, it must exist the case for slave station to send data to other stations then can the master PLC detect whether the slave station is online without error; if in the communication transaction program or table, there is only the master station sending data to slave stations, the master PLC can't detect whether slave PLC is on line without error. The user must employ programming skill to add abnormal detecting program to the master PLC and</p>				High byte	Low byte		R4054	55	Station number.	H
	High byte	Low byte								
R4054	55	Station number.	H							

FBS-PLC LINK

FUN151P CLINK	Convenient Instruction of FUN151: MD3 (PLC serve as the master of "Fatek high speed CPU Link network" through Port2)	FUN151P CLINK
------------------	--------------------------------------------------------------------------------------------------------------------------	------------------

slave PLC to do the error checking (as a matter of fact, the program is very simple; just makes the PLC, which is sending data, to create an ON↔OFF variation signal. Once the receiving PLC does not detect the ON↔OFF variation signal in a period of time, it means that there is communication error).

R4059 : Error logging of abnormal slave PLC while high speed linking.

	High byte	Low byte	
R4059	Abnormal code	Abnormal count	H

Low byte : Abnormal count summation

High byte : Abnormal code

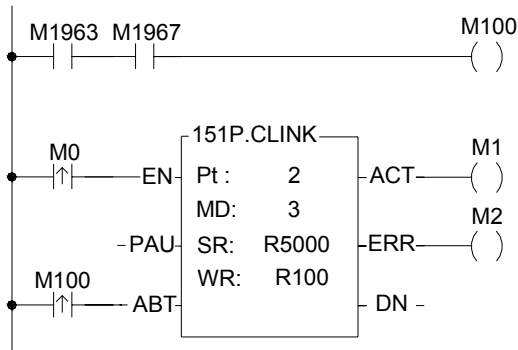
- OAH, No response from slave station
- OBH, Error data
- 01H, Framing Error
- 02H, Over_Run Error
- 04H, Parity Error
- 08H, CRC error

Explanation for the checking method for abnormal communication is the same as that for R4058.

R4160 : Port 2 Rx/Tx Time-out setting (in high speed linking). The system will base on the setting of R4161 communication parameter to produce pertaining set point if high byte of R4160 is not 56H, the user need not to set it. If high byte of R4160 is 56H, the low byte of R4160 is reserved for manual setting.

R4161 : Communication parameter setting register for Port 2 High Speed CPU Link.

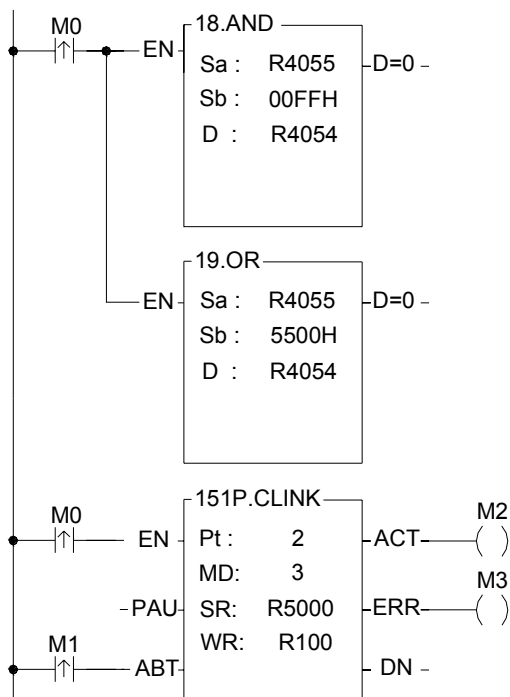
Program example 1 (PLC no. 1 serves as the master of high speed data linking)



- Planning R5000~R5199 to be ROR, the communication program will be stored together with LADDER program.
- When M1967 is ON, performs one cycle transmission. It must start the abortion, then restart M0 before it can perform high speed data link again.

FUN151P CLINK	Convenient Instruction of FUN151: MD3 (PLC serve as the master of "Fatek high speed CPU Link network" through Port2)	FUN151P CLINK
------------------	--------------------------------------------------------------------------------------------------------------------------	------------------

Program example 2 (PLC which station number is not no.1 serves as the master of high speed data linking.)



- Get PLC station number and write it into R4054
- Set the high byte for R4054 to be 55H
- Planning R5000~R5199 to be ROR, the communication program will be stored together with LADDER program.
- When ABT is not controlled, M1 instruction needs not to input.

Program example 3

The same machine sets or equipments (with same LADDER program) perform multi-station data collection or distributed control through RS-485 high speed linking.

The principle for high speed data linking is based on COMMON DATA MEMORY concept to design; while designing, it must devise a successive data block and evenly distributed to respective PLCs to do data exchange among PLCs. e.g.:

R1000~R1031: The data block of PLC no. 1 (through high speed linking, the other PLCs' content of R1000~R1031 become the same as that of PLC no.1).

R1032~R1063: The data block of PLC no. 2 (through high speed linking, the other PLCs' content of R1032~R1063 become the same as that of PLC no.2).

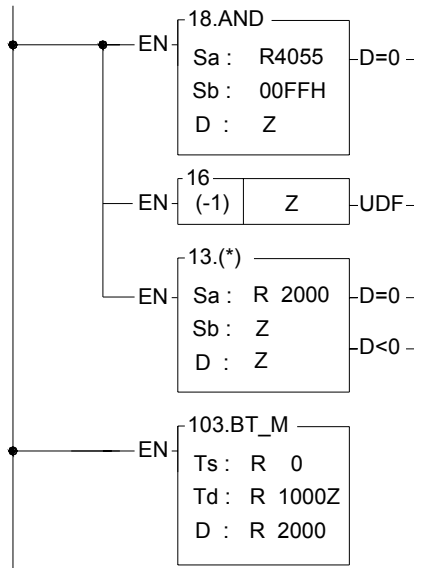
• •
• •
• •

For example, get the production data (stored at R0~R31) from each machine set, and collectively gathering R1000~R1639 (suppose there are 20 sets linking) stored in master PLC through RS-485 high speed data linking; it needs merely the master PLC of high speed linking to connect to MMI or graphic supervisor, then it can monitor and store, for follow up processing, the production data of respective machine sets with real time effect.

Note : If it is simply for data collection and monitoring and no need to do real time control, employs the FUN151: MD0 can easily and concisely accomplish the assignment; when requiring real time control or supervising , it must employ FUN151: MD3 to accomplish a speedy, precisely controlling demand.

FBS-PLC LINK

FUN151P CLINK	Convenient Instruction of FUN151: MD3 (PLC serve as the master of "Fatek high speed CPU Link network" through Port2)	FUN151P CLINK
------------------	--------------------------------------------------------------------------------------------------------------------------	------------------



- Get PLC station number and write it in pointer Z
- Station number deducts 1
- R2000 = Length of data to be sent from each station (e.g. 32)
- data length * (station number-1):
Directing to the apportioned data block of this station.
- Move production data from respective stations to the apportioned data block of respective stations, and transmitting it to all other PLCs on line through high speed data linking.

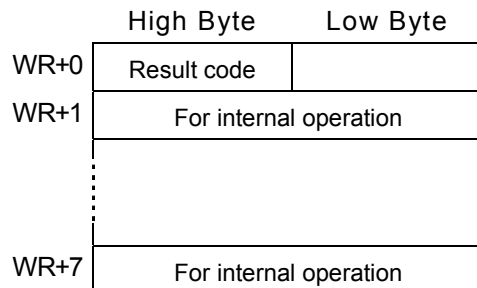
Explanation for operand SR of FUN151: MD3

SR : Starting register for communication program of CLINK instruction

SR+0	Packets of data transaction	• Low Byte is valid. A packet of transmission demands 7 registers to describe; i.e. 7 registers define a packet of data.
SR+1	Station number to transmitt	• Low Byte is valid. 1~254
SR+2	Command code	• Low Byte is valid, it can only be 4 (high speed linking command).
SR+3	Length of this packet of data	• Low Byte is valid. 1 ~ 32, defines the data length of one transaction.
SR+4	Data type	• Low Byte is valid. 12=R; 13=D.
SR+5	Data starting reference	• Word is valid. Defines starting number of working data.
SR+6	Reserved	•Code for data type Data starting reference 12: R data register 0~3839 13: D data register 0~3999
SR+7	Reserved	
SR+8	Station number to transmitt	} Describing for the 2_nd packet of transaction
SR+9	04	
•	Length of data	
•	Data type	
•	Data starting reference	
•	Reserved	
•	Reserved	

FUN151P CLINK	Convenient Instruction of FUN151: MD3 (PLC serve as the master of "Fatek high speed CPU Link network" through Port2)	FUN151P CLINK
------------------	--------------------------------------------------------------------------------------------------------------------------	------------------

Explanation for operand WR of FUN151:MD3



- Result code :
- 0 : Correct format
 - 2 : Data length error (Length is 0 or greater than 32)
 - 3 : Command code error (Command is not equal to 4)
 - 4 : Data type error (Data type is not 12 nor 13)
 - 5 : Data reference error

- For easy programming and trouble shooting, the Winproladder provides the table editing environment to edit the communication table of FUN151 instruction; Key in the complete FUN151 instruction first and then move the cursor to the position of it, depressing the "Z" key, now comes the table editing environment. The user can create the new communication table or display the existed table under this friendly user interface operation.

Communication Table for FUN151:MD3

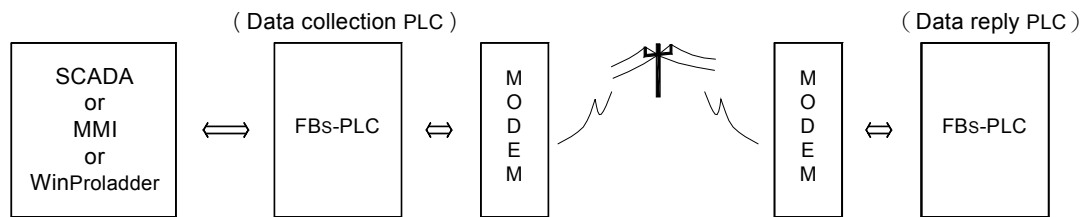
※ Only Port 2 is valid for FUN151 : MD 3

Sequence No.	Command	Station No.	Data	All Station	Length
0~nnn	High Speed Link (=4)	Station number to transmitt the data 1~254	The data will be transmtted R0~R3839 D0~D3999	The data will be received R0~R3839 D0~D3999	Data length of this transaction 1~32

FBS-PLC LINK

FUN151P CLINK	CPU Link by Way of Port 1 to Connect to Modem	FUN151P CLINK
------------------	-----------------------------------------------	------------------

- PLC can connect to MODEM through communication port 1, and by way of telecommunication network to link and share data with remote PLC. Its application is as follows :
 - Perform automatic data collection from the remote end.
 - Automatically report for alarm and abnormal conditions.
 - Associate with current available graphic supervising software or MMI etc. standard products to constitute a wide area network automatic monitoring system. It doesn't need to develop specific designing, so as to reduce the development risk and time limit.
- Hardware configuration, and setting :



Data collecting PLC :

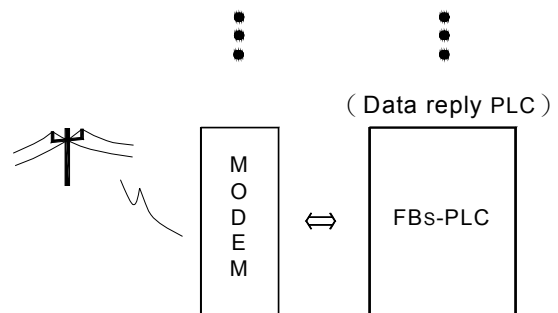
- Don't need to store phone number within the CPU
- High Byte of R4149 = 55H (MODEM function)

Data reply PLC :

- High Byte of R4149 = 55H (MODEM function)
- R4140~R4145 sets the phone number for general data collecting PLC end (extension phone function allowed).

e.g. Phone number is 02-28082192, then

R4140=8220H, R4141=1280H, and R4142=0E29H.



If phone number is : 02-28082192 ext 100, then R4140=2A20H, R4141=2808H, R4142=A291H, R4143=AAAAH, R4144=001AH, R4145=000EH.

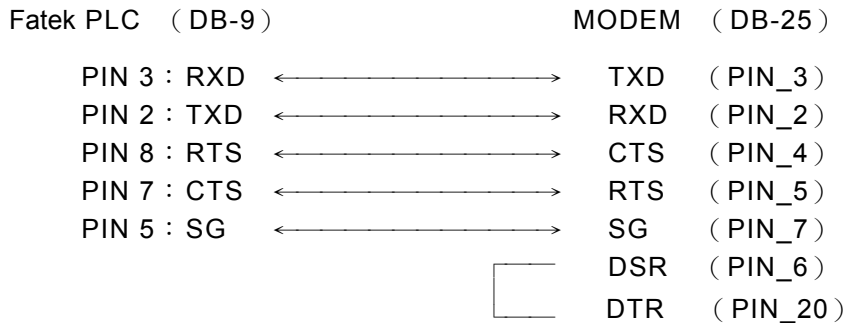
- Explanation: R4140~R4145 is telephone number register for dialing;
 - “E” is the ending character of phone number; “A” is the dial delaying character (usually the dialing of extension number or international long distance call can be reached by making use of dial delaying, the delayed time for a delaying character is based on MODEM setting, which is about 2 second). “B” stands for “#” character (can dial B. B. CALL), and “C” stands for “*” character.
- It employs CLINK (FUN151:MD0) instruction to write data to the general data collecting PLC or to read data from general data collecting PLC (refer to FUN151:MD0 Instruction user guide).

*** The maximum communication Baud Rate can reach 115200 bps (both of the communication ends must be consistent in setting)

- Let the communication parameters be 8-bit and Non-parity will be better for almost Modem

FUN151P CLINK	CPU Link by Way of Port 1 to Connect to Modem	FUN151P CLINK
------------------	-----------------------------------------------	------------------

· The wiring of PLC communication port1 and MODEM :



MODEM dialing interface signal

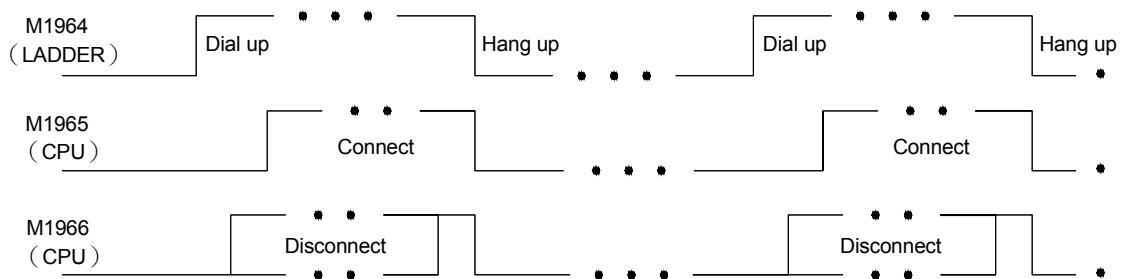
M1959 : OFF, dialing by “Tone” ;
ON, dialing by “Pulse”

M1964 : OFF→ON, dial up ;
ON→OFF, hang up

R4163 : The Low Byte of R4163 is used to control the application of X instruction while MODEM dialing.
=1, it does not detect dial tone nor busy tone while MODEM dialing.
=2, it detects only dial tone but does not detect busy tone while MODEM dialing.
=3, it dials directly without detecting dial tone, but will detect busy tone after MODEM dialing.
=4, it detects both dial tone and busy tone for MODEM dialing.

For other values, it works as 4; different country system needs to adjust the setting pertaining to the country.

The High Byte of R4163 is used to set the ring count for auto answer mode of Modem.



Note 1 : Of M1965 and M1966, there will be only one ON, not both to be ON at the same time.

2 : The waiting time for dial connection is 1 minute; if unable to connect, it will redial twice (totally 3 times). If all of the dial connection tries failed, CPU will set M1966 to be ON (connection failed).

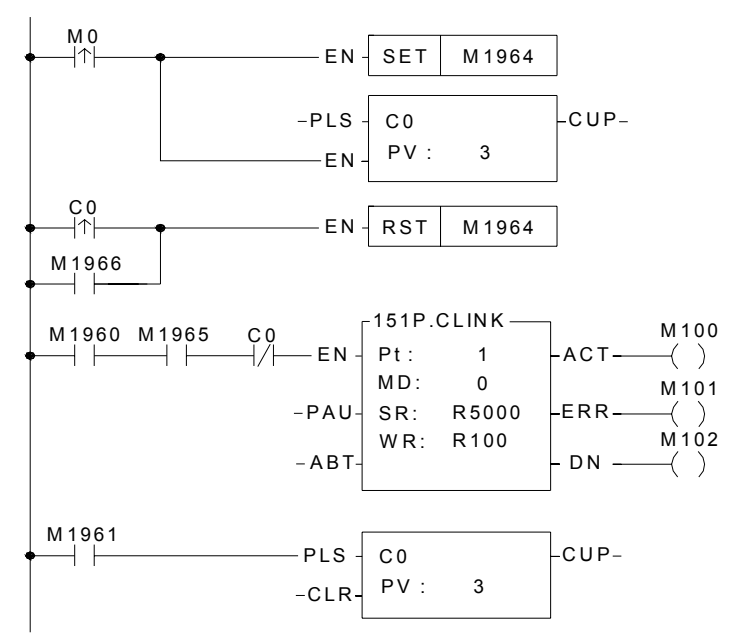
3 : When the quality of communication is not stable and easy to disconnect, you may employ the abnormal detecting function of CLINK instruction to control M1964 redials for connection (delay time of redial must be more than 10 seconds).

4 : When PLC change from RUN to STOP, the CPU will automatically change MODEM to be receiving state, which could accept the remote side dial connection.

5 : When PLC is not in dialing or MODEM connection states, CPU will automatically change MODEM to be receiving state, which could accept the remote side dial connection.

FUN151P CLINK	CPU Link by Way of Port 1 to Connect to Modem	FUN151P CLINK
------------------	-----------------------------------------------	------------------

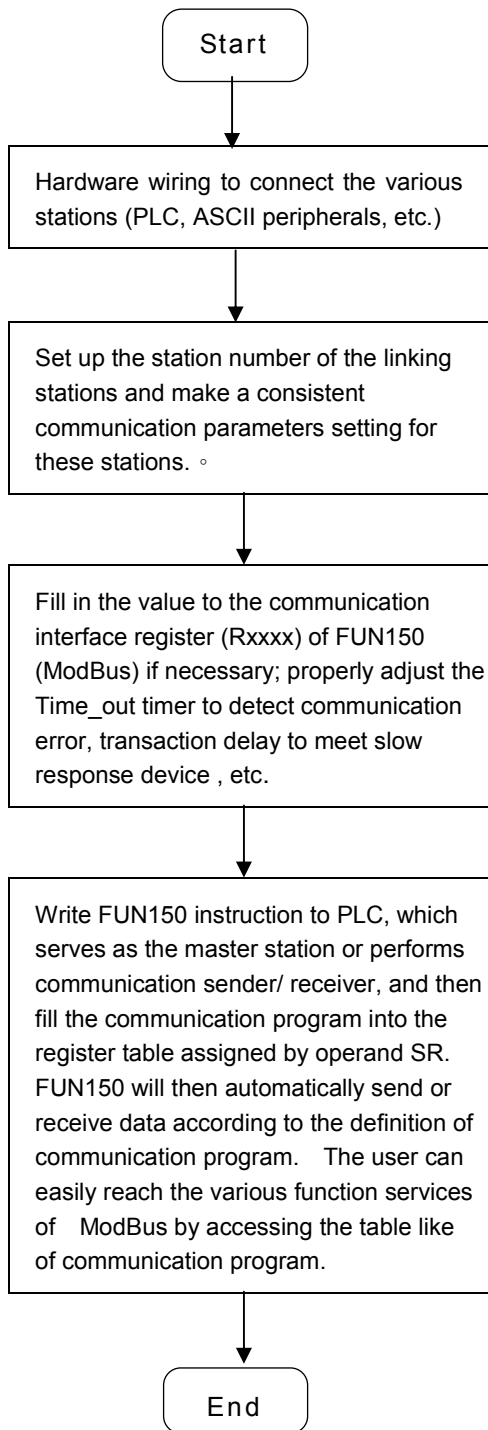
Program example



- When M0 changes from 0→1, dials up.
- Clears the transaction count.
- Hang up after transactions completed or connection failed.
- Planning R5000~R5199 to be ROR, the communication program will be stored together with LADDER program.
- Counting after all transactions completed

12.2 Application for FUN150(ModBus) instruction

12.2.1 Procedures for usage



- Station number can be set to any one between 1 to 254 without replication.

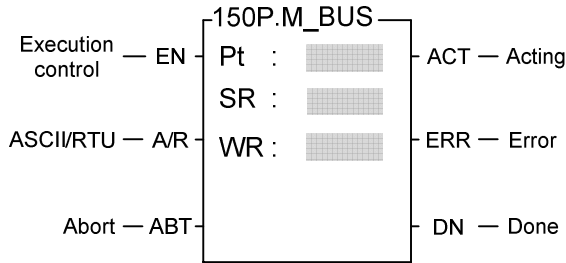
- For communication parameters, please refer to the description of "Communication Related Setting".

12.2.2 Explanation application program for FUN150

This section will instruction to explain FUN150(ModBus) usages, with respective practical application program examples.

FUN150P M-BUS	Convenient Instruction for Modbus RTU Master (Which makes PLC as the Modbus RTU master through Port 1~4)	FUN150P M-BUS
------------------	-------------------------------------------------------------------------------------------------------------	------------------

Ladder symbol



Pt : 1~4 , specify the communication port to work as the Modbus RTU master
 SR : Starting register of communication program
 WR : Starting register for instruction operation. It controls 8 registers , the other programs can not repeat in using.

Range	HR	ROR	DR	K
Ope- rand	R0 R3839	R5000 R8071	D0 D3999	
Pt				1~4
SR	○	○	○	
WR	○	○*	○	

Descriptions

1. FUN150 (M-BUS) instruction makes PLC act as Modbus RTU master through Port 1~4, thus it is very easy to communicate with the intelligent peripheral with Modbus RTU protocol.
2. The master PLC may connect with 247 slave stations through the RS-485 interface.
3. Only the master PLC needs to use M-BUS instruction.
4. It employs the program coding method or table filling method to plan for the data flow controls; i.e. from which one of the slave station to get which type of data and save them to the master PLC, or from the master PLC to write which type of data to the assigned slave station. It needs only seven registries to make definition; every seven registers define one packet of data transaction.
5. When execution control "EN" changes from 0→1 and the input "ABT" is 0, and if Port 1/2/3/4 hasn't been controlled by other communication instructions [i.e. M1960 (Port1) 、 M1962 (Port2) 、 M1936 (Port3) 、 M1938 (Port4) = 1], this instruction will control the Port 1/2/3/4 immediately and set the M1960 、 M1962 、 M1936 、 M1938 to be 0 (which means it is being occupied), then going on a packet of data transaction immediately. If Port 1/2/3/4 has been controlled (M1960 · M1962 · M1936 · M1938 = 0), then this instruction will enter into the standby status until the controlling communication instruction completes its transaction or pause/abort its operation to release the control right (M1960 · M1962 · M1936 · M1938 =1), and then this instruction will become enactive, set M1960 、 M1962 、 M1936 、 M1938 to be 0, and going on the data transaction immediately.
6. While in transaction processing, if operation control "ABT" becomes 1, this instruction will abort this transaction immediately and release the control right (M1960 · M1962 · M1936 · M1938 = 1). Next time, when this instruction takes over the transmission right again, it will restart from the first packet of data transaction.
7. While "A/R" =0 , Modbus RTU protocol ; "A/R" =1 , Modbus ASCII protocol (Reserved) .
8. While it is in the data transaction, the output indication "ACT" will be ON.
9. If there is error occurred when it finishes a packet of data transaction, the output indication "DN" & "ERR" will be ON.
10. If there is no error occurred when it finishes a packet of data transaction, the output indication "DN" will be ON.

Note : ModBus ASCII Mode will support after OS Version 4.12

FUN150P M-BUS	Convenient Instruction for Modbus RTU Master (Which makes PLC as the Modbus RTU master through Port 1~4)	FUN150P M-BUS
------------------	-------------------------------------------------------------------------------------------------------------	------------------

【 Interface Signals 】

Dedicated Relays and Registers for corresponding port :

Comm Port Signals	Port 1	Port 2	Port 3	Port 4
1. Port Ready Indicator	M1960	M1962	M1936	M1938
2. Port Finished Indicator	M1961	M1963	M1937	M1939
3. Port Communication Parameters	R4146	R4158	R4043	R4044
4. TX Delay & RX Time-out Span	R4147	R4159	R4045	R4048
5. New Message Detection Time Interval	R4148			

1. Port Ready Indicator : This signal is generated from CPU.

ON, it represents that port is free and ready.

OFF, it represents that port is busy, data transaction is going.

2. Port Finished Indicator : This signal is generated from CPU.

When the communication program completed the last packet of data transaction, this signal will be ON for one scan time (for successive data transaction).

When the communication program completed the last packet of data transaction, this signal will be still ON (for single packet of data transmission)

3. Port Communication Parameters :

The register is for communication parameters setting of corresponding port. (please refer to the chapter of communication parameters setting).

4. TX Delay & RX Time-out Span :

The content of Low Byte defines the receive time-out span of M-BUS instruction; its unit is 0.01 second (the default is 50, which means 0.5 second)

The M-BUS instruction employs receive time-out span to judge whether the slave station on line or not.

When the master PLC sent out the read/write command to the slave station, the slave station didn't reply within this period means that there is abnormal event in communication called Time-out. When there are multi-drop linking, properly adjust this value (greater than 1 scan time of the slave station with the longest scan time) to shorten the communication response time among the active linking stations if there are many slave stations power off (The time-out cases will happen).

The content of High Byte defines the transmission delay time between two packets of data transaction for M-BUS instruction; its unit is 0.01 second (the default is 0).

For point to point link, this value can be set as 0 to shorten the communication transaction time and promote the communication efficiency. In the case of linking multi-drop and if the scan time of master PLC is far longer than any slave station, this value can also be set to 0 to shorten the communication transaction time and promote the communication efficiency. When there are multi-drops linking and the scan time of master PLC is close to that of slave station's, it must properly adjust this value (greater than 1 scan time of the slave station with the longest scan time) to reach the best, error-free communication quality

FUN150P M-BUS	Convenient Instruction for Modbus RTU Master (Which makes PLC as the Modbus RTU master through Port 1~4)	FUN150P M-BUS
------------------	-------------------------------------------------------------------------------------------------------------	------------------

5. New Message Detection Time Interval :

While the communication port being used as the master or slave of ModBus RTU protocol, the system will give the default time interval to identify each packet of receiving message, if the default works not well, the user can set this time interval through the high byte setting of R4148 and let M1956 be 1, to avoid the overlap of different packet of message frame.

M1956=0, the system default is 3×16 bits time period for Port1~Port4.

M1956=1, High Byte of R4148 is used to set the new message detection time interval for Port1~Port4(the range is 12~63, the unit is in 16-bit)

The actual time depends on the communication baud rate.

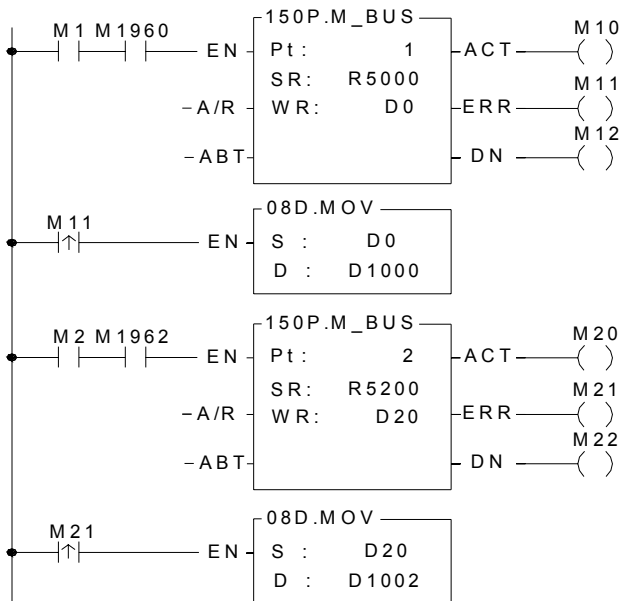
While the communication port being used to communicate with the intelligent peripherals through the FUN150 convenient instruction, if the communication protocol without the end of text to separate each packet of message frame, it needs message detection time interval to identify the different packet. High byte of R4148 is used for this setting.

M1956=0, the system default is 3×16 bits time period for Port1~Port4.

M1956=1, High Byte of R4148 is used to set the new message detection time interval for Port1~Port4(the range is 12~63, the unit is in 16-bit)

The actual time depends on the communication baud rate.

Program example (Automatic cycling transmission)



- Configure R5000~R5399 as the read only register (ROR) before programming, after then, when storing program, the ladder program will automatically contains the communication program .
- When there is communication error, gets and stores the error message to D1000 & D1001 would be helpful for error analysis or logging.

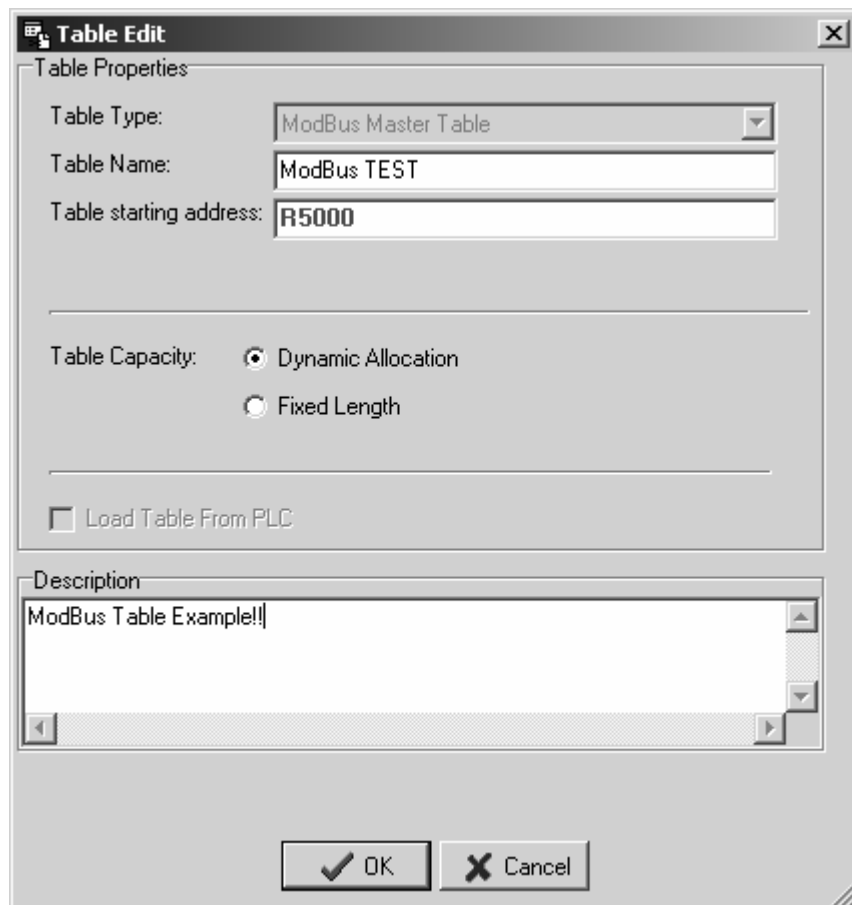
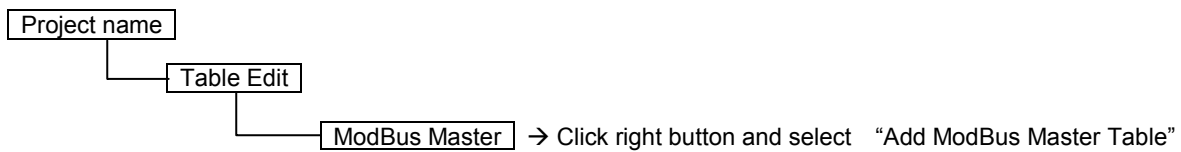
FUN150P M-BUS	Convenient Instruction for Modbus RTU Master (Which makes PLC as the Modbus RTU master through Port 1~4)	FUN150P M-BUS
------------------	-------------------------------------------------------------------------------------------------------------	------------------

Explanation on program example

1. When execution control "EN" changes from 0→1, and Port 1 is not occupied by other communication instruction (M1960 ON), M-BUS instruction will start the data transaction. The M1960 is OFF during data transaction, and when the transaction is finished, the M1960 becomes ON. Employ the OFF↔ON change of M1960 (M-BUS execution control "EN" = 0→1 means starting) may automatically starts for every packet of data transaction successively (when the last packet of transaction is completed, it will automatically return to the first packet of transaction to obtain the automatic cycling transmission).
2. When execution control "EN" changes from 0→1, and Port 2 is not occupied by other communication instruction (M1962 ON), M-BUS instruction will start the data transaction. The M1962 is OFF during data transaction, and when the transaction is finished, the M1962 becomes ON. Employ the OFF↔ON change of M1962 (M-BUS execution control "EN" = 0→1 means starting) may automatically starts for every packet of data transaction successively (when the last packet of transaction is completed, it will automatically return to the first packet of transaction to obtain the automatic cycling transmission).

Editing Communication Table with WinProladder

Click the "ModBus Master" Item which in project windows :

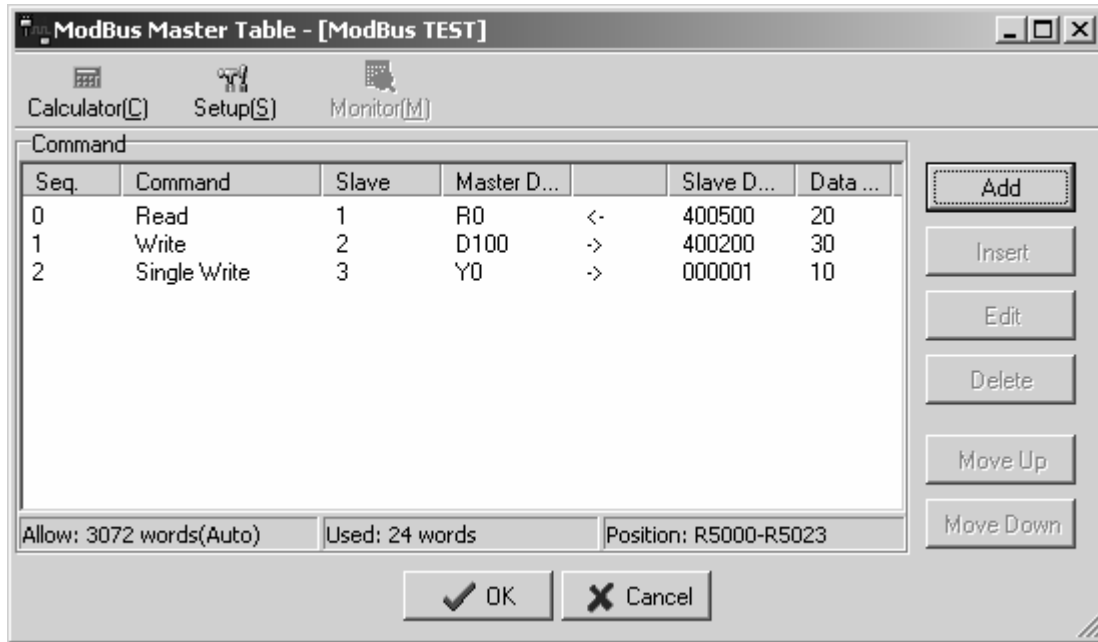


FUN150P
M-BUS

Convenient Instruction for Modbus RTU Master
(Which makes PLC as the Modbus RTU master through Port 1~4)

FUN150P
M-BUS

- Table Type : It will be fixed to " ModBus Master Table ".
- Table Name : For modify or debug, you can give a convenient name.
- Table Starting address : Enter the address which Starting register of communication Table



FUN150P M-BUS	Convenient Instruction for Modbus RTU Master (Which makes PLC as the Modbus RTU master through Port 1~4)	FUN150P M-BUS
------------------	-------------------------------------------------------------------------------------------------------------	------------------

Starting register for communication program of M-BUS instruction

SR : Starting register for communication program of M-BUS instruction

SR+0	A5h	50h	<ul style="list-style-type: none"> • A550h : it means valid M-BUS program
SR+1	07h	Total transactions	<ul style="list-style-type: none"> • Low Byte : Total number of transactions , one transaction needs 7 registers to describe.
SR+2	Slave station No. Which is about to transact with		<ul style="list-style-type: none"> • Low Byte is valid, 0~247 (0 means that master PLC broadcasts the data to all slaves, the slaves do not reply).
SR+3	Command code		<ul style="list-style-type: none"> • Low Byte is valid ; =1, means "Read data from slave station" =2, means "Write multiple data to slave station" =3, means "Write singal data to slave station"
SR+4	Data length of this transaction		<ul style="list-style-type: none"> • Low Byte is valid; the range is 1~125 (Reg.) or 1~255 (Dis).
SR+5	Data type of Master PLC		<ul style="list-style-type: none"> • Low Byte is valid, and its range is 1~3 or 12~13; it defines the data type of master PLC (see next page).
SR+6	Starting reference of Master PLC		<ul style="list-style-type: none"> • Word is valid; it defines the starting address of data (master).
SR+7	Data type of slave station		<ul style="list-style-type: none"> • Low Byte is valid, and its range is 0 or 4; it defines the data type of slave station (see next page).
SR+8	Starting reference of Slave station		<ul style="list-style-type: none"> • Word is valid; it defines the starting address of data (slave).
SR+9	Slave station No. which is about to transact with		<p style="text-align: center;">} Description of the 2_{nd} packet of transaction</p>
SR+10	Command code		
SR+11	Data length of this transaction		
SR+12	Data type of Master PLC		
SR+13	Starting reference of Master PLC		
SR+14	Data type of slave station		
SR+15	Starting reference of Slave station		
•			
•			
•			
SR+2+n×7	Reserved		<ul style="list-style-type: none"> • N is the total number of transaction

FBS-PLC LINK

FUN150P M-BUS	Convenient Instruction for Modbus RTU Master (Which makes PLC as the Modbus RTU master through Port 1~4)	FUN150P M-BUS
------------------	-------------------------------------------------------------------------------------------------------------	------------------

- Data code, type and reference number of Master station (FATEK PLC)

Data code	Data type	Reference number
1	Y (Output Relay)	0~255
2	M (Internal M Relay)	0~1911
3	S (Step Relay)	0~999
12	R (Data Register Rxxxx)	0~3839
13	D (Data register Dxxxx)	0~3999

- Data code, type and reference number of Slave station (Modbus slave)

Data code	Data type	Reference number
0	Discrete Output	1~65535
4	Holding register	1~65535

Note: The data type for master and slave must be consistent. i.e. if the master station is any value between 1 to 3, the slave station must be the value 0; if the master station is any value between 12 to 13, the slave station must be the value 4.

- WR : Starting register for instruction operation of M-BUS (FUN150)

	High Byte	Low Byte
WR+0	Result code	Transaction No.
WR+1	Station number	Command code
WR+2	For internal working use	
WR+3	For internal working use	
WR+4	For internal working use	
WR+5	For internal working use	
WR+6	For internal working use	
WR+7	For internal working use	

- Result code indicates the transaction result; 0 means "Normal", other value means "Abnormal"
- Transaction No. indicates which one is in processing (beginning from 0).
- Station number: the slave station No. which is in transaction.
 Command code =01H , reading coil status from slave station
 =03H , reading holding registers from slave station
 =05H , force single coil to slave station
 =06H , preset single register to slave station
 =0FH , force multiple coils to slave station
 =10H , preset multiple registers to slave station
- WR+4 B0=1, Port has been occupied and this instruction is waiting to acquire the transmission right for data transaction
 B4=1, this instruction is not first time performing.
 B12, output indication for "ACT"
 B13, output indication for "ERR"
 B14, output indication for "DN"

Result code : 0, Transaction is successful.

- 2, Data length error (for length is 0 or over limit).
- 3, Command code error (Command code is 0 or greater than 3)
- 4, Data type error
- 5, Reference number error

FUN150P M-BUS	Convenient Instruction for Modbus RTU Master (Which makes PLC as the Modbus RTU master through Port 1~4)	FUN150P M-BUS
------------------	---------------------------------------------------------------------------------------------------------------	------------------

- 6, Inconsistence in data type (e.g. master station is 1~3 while slave is 12~13).
- 7, Port error (Not Port 1~4)
- 8, Invalid communication program
- A, No response from slave station (Time-out error).
- B, Communication error (received error data or exception reply).

- For easy programming and trouble shooting, the Winproladder provides the table editing environment to edit the communication table of FUN150 instruction; Key in the complete FUN150 instruction first and then move the cursor to the position of it, depressing the "Z" key, now comes the table editing environment. The user can create the new communication table or display the existed table under this friendly user interface operation.

M-BUS Communication Table

Sequence No.	Command	Slave	Data of Master	Data of Slave	Length
0 ~ nnn	Read (=1) Write (=2) Write single (=3)	The station number of slave which is about to transact with Station No.=0, It means broadcasting, there will not any response from the slave Station No.=N, It means the station number of slave which is about to transact with; N=1~247	The data type of Master for this transaction Y0~Y255 M0~M1911 S0~S999 R0~R3839 D0~D3999	The data type of Slave for this transaction 000001~ 065535 400001~ 465535	Quantity of this While Register, 1~125 While Discrete, 1~255

※ Win-Proladder provides the user friendly table edit for M-BUS Master :

Sequence

<u>No.</u>	<u>Command</u>	<u>Slave</u>	<u>Data of Master</u>	<u>Data of Slave</u>	<u>Data length</u>
0	Read	1 ~ 247	Y0 ~ Y255 ←	000001 ~ 065535	1 ~ 255
			M0 ~ M1911 ←	000001 ~ 065535	1 ~ 255
			S0 ~ S999 ←	000001 ~ 065535	1 ~ 255
			R0 ~ R3839 ←	400001 ~ 465535	1 ~ 125
			D0 ~ D3999 ←	400001 ~ 465535	1 ~ 125
1	Write	0 ~ 247	Y0 ~ Y255 →	000001 ~ 065535	1 ~ 255
			M0 ~ M1911 →	000001 ~ 065535	1 ~ 255
			S0 ~ S999 →	000001 ~ 065535	1 ~ 255
			R0 ~ R3839 →	400001 ~ 465535	1 ~ 125
			D0 ~ D3999 →	400001 ~ 465535	1 ~ 125
2					
.					
.					
.					

FBs-PLC LINK

FUN150P M-BUS	ModBus Communication Protocol(Slave) Data Address (Transfer Principle with Fatek PLC)	FUN150P M-BUS
------------------	--------------------------------------------------------------------------------------------	------------------

- FBs-PLC can use FUN150 to be ModBus protocol Master, besides it also can be ModBus communication Slave by configuration(Port1~Port4, but Port0 fixed to Fatek Standard communication protocol) then it can connect with the intelligent peripheral.
- ModBus Communication Protocol setting register(R4047) :
 R4047 : Upper Byte = 55H, configure the communication port for ModBus RTU protocol.
 = Other values, Port1~4 don't support ModBus RTU protocol(The defaults are FATEK protocol)
 Lower Byte : Port assignment for ModBus RTU protocol.

Format as below :

Upper Byte	Lower Byte
55H	b7 b6 b5 b4 b3 b2 b1 b0

- b0, Reserved ;
- b1=0, Port 1 acts as FATEK protocol.
=1, Port 1 acts as ModBus RTU protocol.
- b2=0, Port 2 acts as FATEK protocol.
=1, Port 2 acts as ModBus RTU protocol.
- b3=0, Port 3 acts as FATEK protocol.
=1, Port 3 acts as ModBus RTU protocol.
- b4=0, Port 4 acts as FATEK protocol.
=1, Port 4 acts as ModBus RTU protocol.
-
-
-
- b5~b7, Reserved

※ It allows to assign multiple ports for ModBus RTU protocol, where the corresponding bit must be 1.

For example : R4047=5502H, Assign Port 1 as ModBus RTU protocol;
 R4047=5504H, Assign Port 2 as ModBus RTU protocol;
 R4047=5506H, Assign both Port 1 and Port 2 as ModBus RTU protocol;

- ModBus and Fatek Data Address Transfer Principle in the Table below :

Mapping Rule

ModBus		Fatek
5 Code	0XXXX	Discrete elements of Ynnn · Xnnn · Mnnnn · Snnn · Tnnn · Cnnn
	4XXXX	Data Registers of Rnnnn · Dnnnn · Tnnn · Cnnn
6 Code	00XXXX	Discrete elements of Ynnn · Xnnn · Mnnnn · Snnn · Tnnn · Cnnn
	40XXXX	Data Registers of Rnnnn · Dnnnn · Tnnn · Cnnn

FUN150P M-BUS	ModBus Communication Protocol(Slave) Data Address (Transfer Principle with Fatek PLC)	FUN150P M-BUS
------------------	--------------------------------------------------------------------------------------------	------------------

Available Range(5 Code)

ModBus	FATEK	Description
00001~00256	Y0~Y255	Discrete Output
01001~01256	X0~X255	Discrete Input
02001~04002	M0~M2001	Discrete M Relay
06001~07000	S0~S999	Discrete S Relay
09001~09256	T0~T255	Status of T0~T255
09501~09756	C0~C255	Status of C0~C255
40001~44168	R0~R4167	Holding Register
45001~45999	R5000~R5998	Holding Register or ROR
46001~48999	D0~D2998	Data Register
49001~49256	T0~T255	Current Value of T0~T255
49501~49700	C0~C199	Current Value of C0~C199(16-bit)
49701~49812	C200~C255	Current Value of C200~C255(32-bit)

Available Range(6 Code)

ModBus	FATEK	Description
000001~000256	Y0~Y255	Discrete Output
001001~001256	X0~X255	Discrete Input
002001~004002	M0~M2001	Discrete M Relay
006001~007000	S0~S999	Discrete S Relay
009001~009256	T0~T255	Status of T0~T255
009501~009756	C0~C255	Status of C0~C255
400001~404168	R0~R4167	Holding Register
405001~405999	R5000~R5998	Holding Register or ROR
406001~408999	D0~D2998	Data Register
409001~409256	T0~T255	Current Value of T0~T255
409501~409700	C0~C199	Current Value of C0~C199(16-bit)
409701~409812	C200~C255	Current Value of C200~C255(32-bit)

FBs-PLC LINK

FUN150P M-BUS	ModBus Communication Protocol(Slave) Data Address (Transfer Principle with Fatek PLC)	FUN150P M-BUS
------------------	--------------------------------------------------------------------------------------------	------------------

※※ Special Register and Relay Available Range

ModBus	FATEK	Description
02001 ~ 03912	M0 ~ M1911	General purpose M Relay
03913 ~ 04002	M1912 ~ M2001	Special M Relay
40001 ~ 43840	R0 ~ R3839	General purpose R Register
43841 ~ 43904	R3840 ~ R3903	Analog or Numeric Inputs
43905 ~ 43968	R3904 ~ R3967	Analog or Numeric Outputs
43969 ~ 44168	R3968 ~ R4167	Special Register